

# Linear Actuator



Technical Information

## Index

1. Sizing of a HIWIN Linear Actuator .....	2
2. Installation of a HIWIN Linear Actuator .....	2
3. Regulations to Safely Operate HIWIN Linear Actuators .....	2
4. Features & Applications .....	3
5. HIWIN LAM Series (1) .....	4
6. HIWIN LAM Series (2) .....	6
7. HIWIN LAM Series (3) .....	8
8. HIWIN LAI Series (1) .....	10
9. HIWIN LAI Series (2) .....	12
10. HIWIN LAS Series (1) .....	14
11. HIWIN LAS Series (2) .....	16
12. HIWIN LAS Series (3) .....	18
13. HIWIN LAS Series (4) .....	20
14. HIWIN LAS Series (5) .....	22
15. HIWIN LAN Series (1) .....	24
16. HIWIN LAN Series (2) .....	26
17. HIWIN LAN Series (3) .....	28
18. HIWIN LAN Series (4) .....	30
19. HIWIN LAN Series (5) .....	32
20. HIWIN LAC Series (1) .....	34
21. HIWIN LAC Series (2) .....	36
22. HIWIN 1-Axis Controller .....	38
23. HIWIN 2-Axis Controller (1) .....	40
24. HIWIN 2-Axis Controller (2) .....	42
25. HIWIN 2-Axis Controller (3) .....	44
26. HIWIN 2-Axis Controller .....	46
27. HIWIN 3-Axis Controller .....	49
28. HIWIN 4-Axis Controller .....	51
29. HIWIN 6-Axis Controller .....	53
30. HIWIN Battery .....	56
31. HIWIN Over Current Protection Box .....	57
32. HIWIN Keypad Series .....	59
33. Standard Cable length of the actuator .....	67
34. HIWIN LAP4G Mask Options .....	69
35. HIWIN Options for each Actuator Type .....	71
36. HIWIN Option for each Controller Type .....	72
37. HIWIN Customer Requirements (LA) .....	73

# Linear Actuator

## Introduction

### 1. Sizing of a HIWIN Linear Actuator

#### Step 1: Determine the load and speed

Consider the operating environment, compare the specifications of various types of Hiwin Linear Actuators and select the most appropriate model.

#### Step 2: Stroke and retracted length sizing

Consider the dimensions of the operating area and select the appropriate actuator.

#### Step 3: Duty cycle

Duty cycles should not exceed 10%. If the duty cycle exceeds 10%, the life of the actuator can be reduced. Users should make sure that no torsion or impact forces are acting upon the actuator.

#### Step 4: Controller sizing

The controller selection should be made according to the power requirements of the actuator. Other considerations include the number of axes, type of limit switches and the series of keypad.

### 2. Installation of a HIWIN Linear Actuator

1. Please ensure that the extension tube is at the "lowest position". The term "lowest position" refers to the position where there is no further movement towards the DC motor while the actuator is powered on.
2. The front and end joints of the linear actuator should be mounted onto two fixed positions on the main chassis. Locations of these fixed positions should be chosen according to the stroke length of the linear actuator.
3. After the fixed positions have been selected, install the fixtures onto these selected positions of the main chassis. These fixtures are used to fix the front and end joints of the linear actuator.
4. Assemble the front and end joints of the linear actuator onto the two fixtures using fixture bolts. Please ensure that the fixture bolts rotate freely when this step is completed. Also, please ensure that the fixture bolts do not become "loose" and fall off during operation.
5. The chassis of the linear actuator should be mounted in the horizontal direction if it is going to be operated in this direction and likewise for vertical operation. Damages could occur to the actuator if these instructions are not followed.
6. Make sure that:
  - The travel distance of the actuator matches the design requirements.
  - The upper and lower limit switches are functioning.
  - The motor stops when the extension tube reaches the upper and lower limit switches.

*\* If the actuator does not operate as described above, please repeat steps 2 thru 4 to make sure that the installation is correct.*

*\*\* All HIWIN linear actuators and control boxes have to be grounded.*

### 3. Regulations to Safely Operate HIWIN Linear Actuators

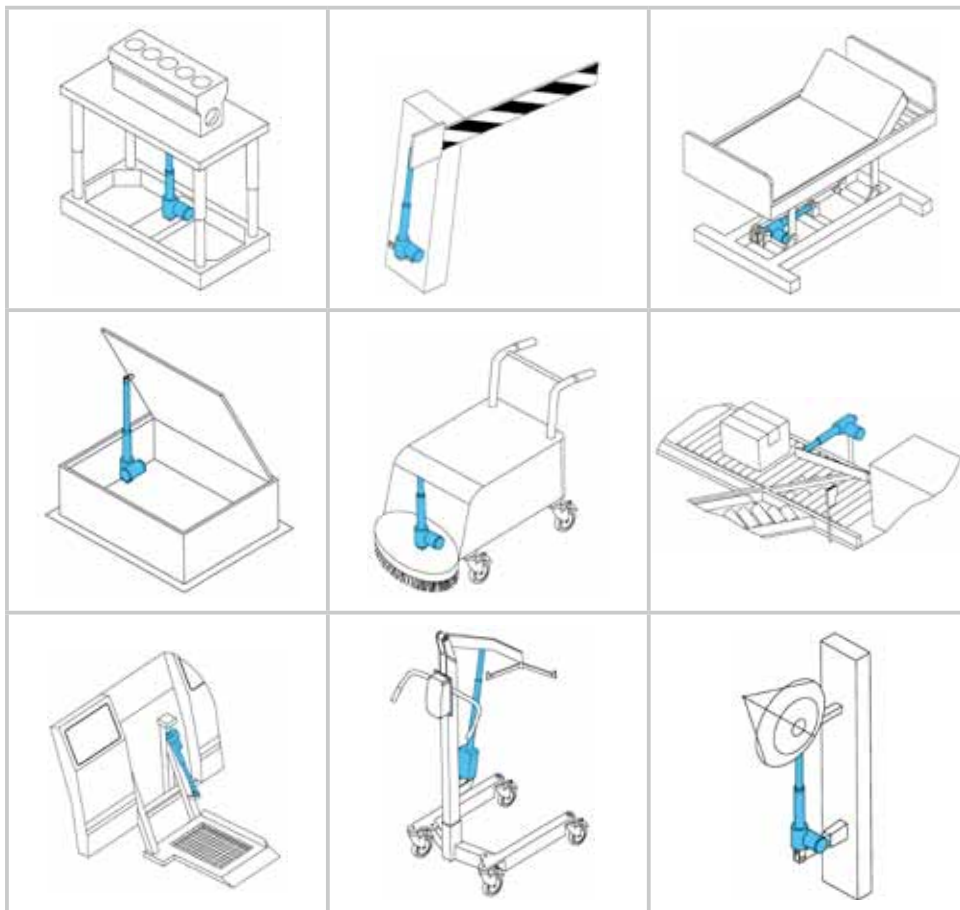
1. A no-load operation may damage the actuator, especially if the actuator has external limit switches installed.
2. Please make sure that the actuators are not installed where the motor or any mechanical parts can be damaged due to dangerous environments.
3. Make sure the DC voltage supplied to the actuator matches the specifications on the actuator. The power supply should supply enough power under maximum load.
4. Under extreme load situations, the motor will try to draw more than the rated current. It is the operator's duty to ensure that the power supply does not provide more current than specified on the actuator. Excessive current will cause wiring damage and possible failure of the actuator. Unless otherwise specified, our actuators have a duty cycle rating of 10%. The duty cycle is defined as two minutes of continuous operation, followed by 18 minutes of non-operation. If the duty cycle exceeds 10%, please consider over-current protection measures. Install protection devices such as fuses or an over-current detection between the power supply and the actuator input end. Detection signals are to be used for operation interruption or shut down.
5. Thermal protection is included on some Hiwin linear actuator models. This will shut down the motor when over-heated.
6. If the actuator was purchased without limit switches, please install appropriate limit switches that comply with the power supply and over-current protection devices that are used.
7. The actuator's motors are DC driven. When the motor is not in operation, please short the ends of the power input to provide additional locking power. Make sure the controller power is shut off prior to shorting the motor inputs. The movement of the extension tube can be reversed by changing the polarity of the voltage supplied.
8. Make sure the actuator operates within its stroke length if it is not supplied with limit switches or an over load protection device.
9. The actuator should operate within the rated load specifications.
10. Please make sure the actuator is operating within the IP rating for dust and water.
11. For applications requiring high accuracy and tight speed requirements, please inquire about Hiwin's KK-series linear stages.
12. Electrical self locking should be implemented if the Hiwin controller is not being used. This will increase the actuator's locking force.

## 4. Features & Applications

### 4-1 Features of a Linear Actuator

1. Light weight and compact structure
2. Low noise
3. User friendly
4. High rigidity
5. Simple installation
6. Competitive price

### 4-2 Applications



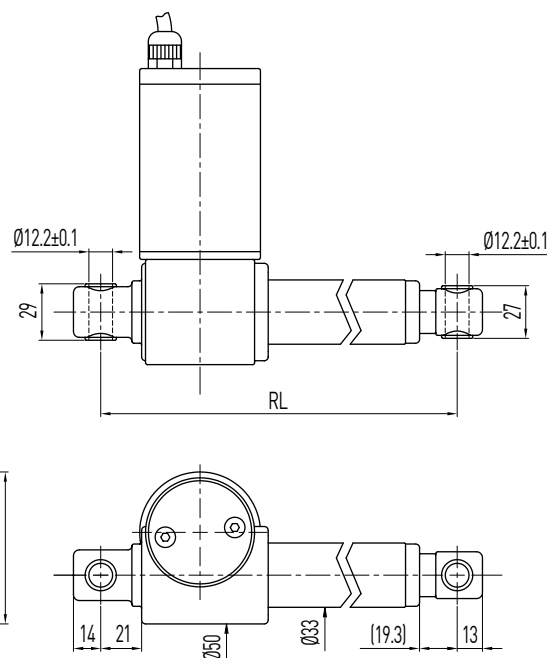
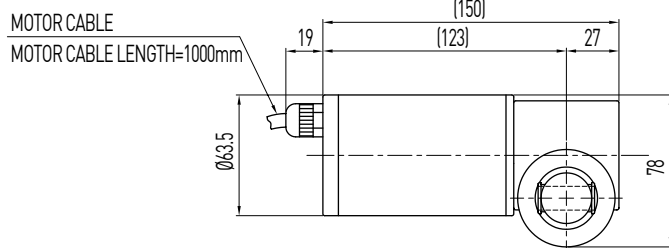
- Automation equipment
- Automatic windows and doors
- Automatic cupboards
- Automatic satellite antennas
- Automatic wheel chairs
- Automatic hospital beds
- Entertainment facilities
- Household appliances
- Automatic drawing tables
- Home care facilities
- Patient lifters
- Massage chairs
- Traffic facilities
- Office automation
- Automatic PC desks
- Hospitals and rehabilitation centers
- Nursing homes

# Linear Actuator

## LAM Series

### 5. HIWIN LAM Series (1)

#### LAM1-1 / -2



- LAM1-1/-2  
RL = S+153  
Stroke ≤ 400  
RL = S+203  
Stroke > 400  
RL: Retracted length  
S: Stroke length
- LAM1-1A  
RL = S+162  
Stroke ≤ 400  
RL = S+212  
Stroke > 400

Table 5.1 Specifications

Screw type	Ballscrew / ACME
Weight*	2.31kg
Protection	IP54
Compatible controller	LAK2 / LAK2LR / LAK2D / LAK2BN / LAK2J / LAK6B
Working temp.	+5°C~40°C

\* Stroke length 100mm

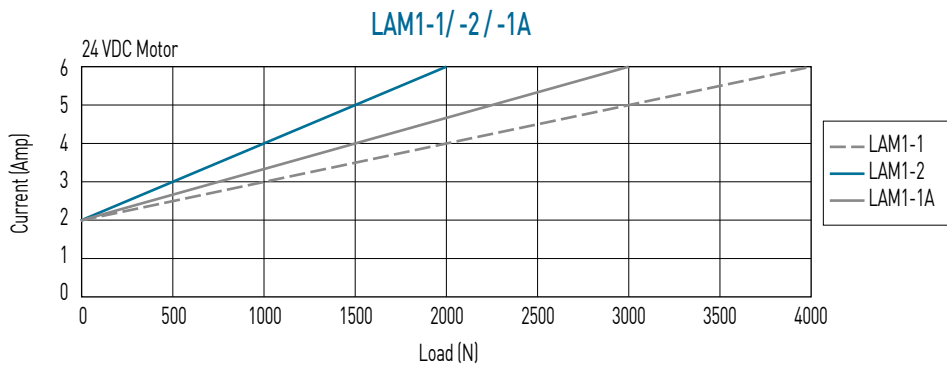
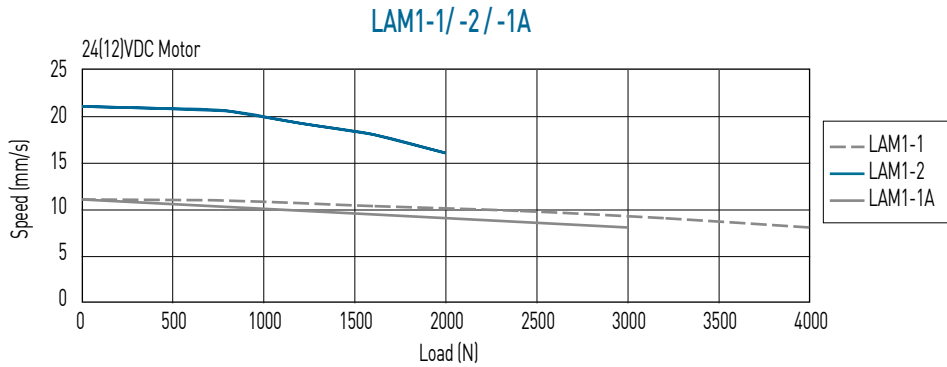
#### Option:

- (1) IP65
- (2) Gear box material: Steel (Standard: Zn (85%)-AL (15%))
- (3) Gear box housing turned 90°
- (4) 36VDC motor
- (5) UL version only 24VDC motor specifications (Only 24VDC certified by UL)
- (6) Plug: DIN 4PIN plug / Stereo plug / Mono plug

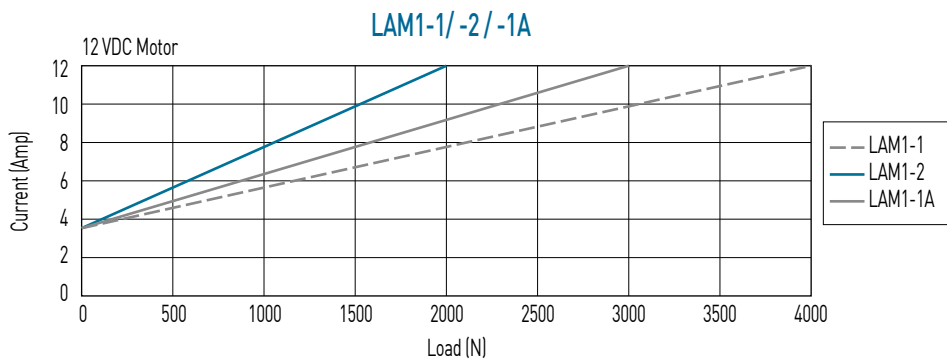
Table 5.2 LAM1 Specifications

Model	Screw type	Thrust max. (N)	Pulling max. (N)	Holding max. (N)	Speed (mm/s) Load = Max. / Load = 0	Standard stroke (mm) : S								Duty cycle %	Current max. (A)	
						100	150	200	250	300	350	400	12VDC		24VDC	
LAM1-1	Ball screw	4000	3000	4000	8 / 11	100	150	200	250	300	350	400	10	12	6	
LAM1-2	Ball screw	2000	2000	1200	16 / 21	100	150	200	250	300	350	400	10	12	6	
LAM1-1A	ACME	3000	3000	3000	8 / 11	100	150	200	250	300	350	400	10	12	6	

\*Min. input power = Voltage x Current max.

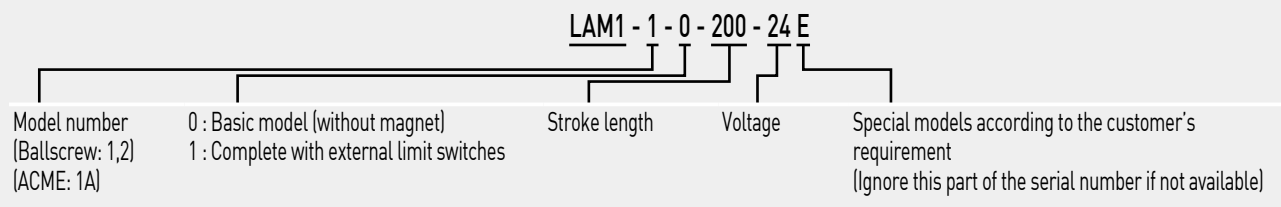


\*\*Note: The test results are obtained by using the 24VDC power supply.



\*\*Note: The test results are obtained by using the 12VDC power supply.

## Ordering Information

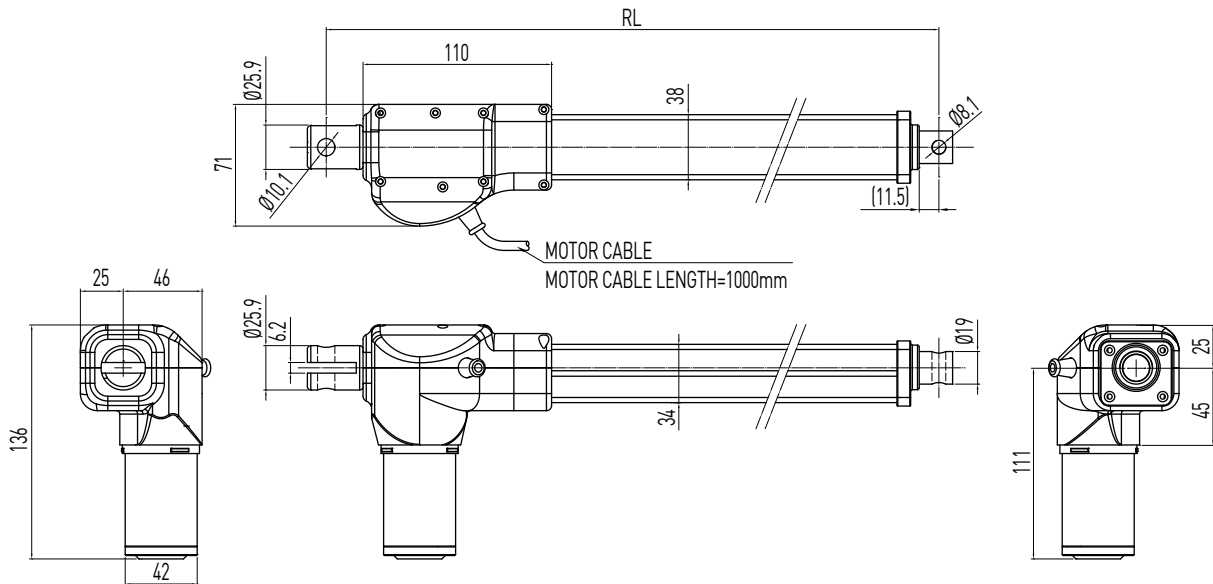


# Linear Actuator

## LAM Series

### 6. HIWIN LAM Series (2)

#### LAM2



- RL = S+157  
Stroke  $\leq 300$
- RL = S+207  
Stroke  $> 300$
- RL: Retracted length
- S: Stroke length

Table 6.1 Specifications

Screw type	ACME
Weight*	1.9kg
Protection	IP54
Compatible controller	Compatible with all controllers (*Notice the type of connector: Audio/DIN 4pin)
Working temp.	+5°C~40°C

\* Stroke length 200mm

#### Option:

- (1) External reed switch (RL=S+207, S  $\leq 300$  / RL=S+257, S  $> 300$ )
- (2) Mechanical Spline (Push only)
- (3) MR Sensor (Position feedback)
- (4) Back fixture turned 90°
- (5) IP66
- (6) Rod end with round connector  
(RL = S+166, S  $\leq 300$  / RL = S+216, S  $> 300$ )
- (7) Plug: DIN 4PIN plug / Stereo plug / Mono plug
- (8) UL Version

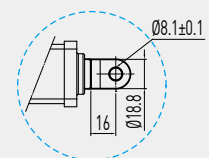
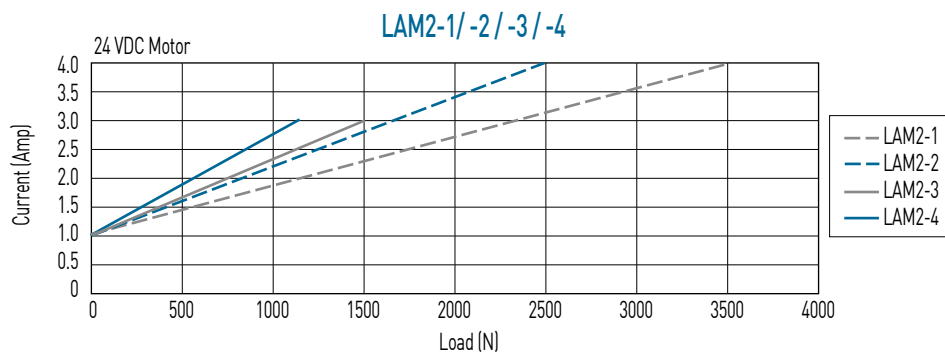
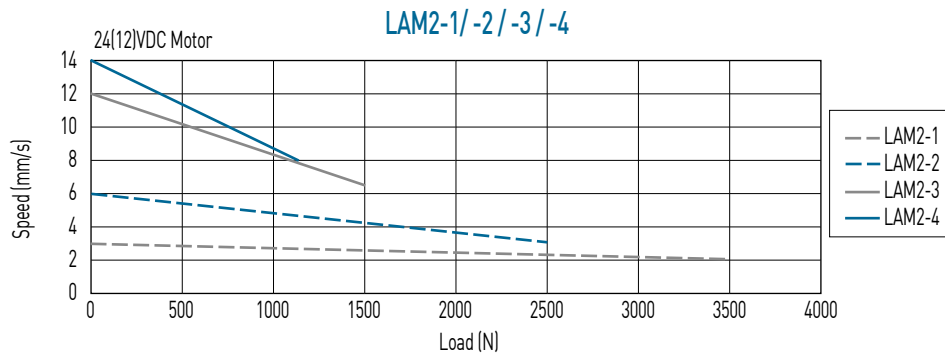


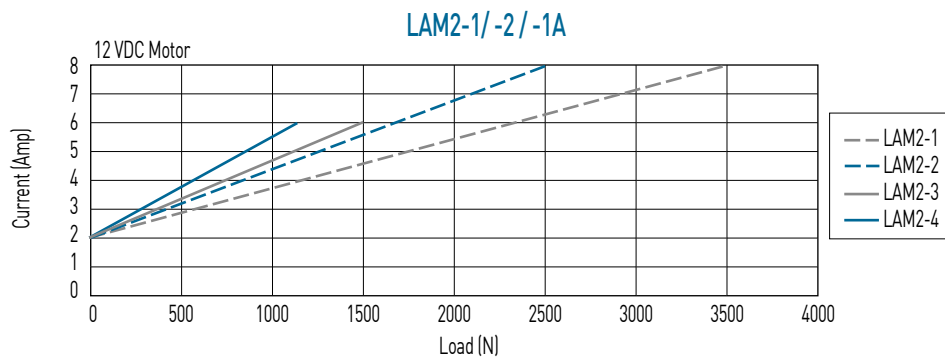
Table 6.2 LAM2 Specifications

Model	Thrust max. (N)	Pulling max. (N)	Holding max. (N)	Speed (mm / s) Load = Max. / Load = 0	Standard stroke (mm) : S					Duty cycle %	Current max. (A)		MR Sensor Resolution (mm / pulse)
					100	150	200	250	300		12VDC	24VDC	
LAM2-1	3500	3500	3000	2 / 3.5	100	150	200	250	300	10	8	4	0.1
LAM2-2	2500	2500	2000	3 / 6	100	150	200	250	300	10	8	4	0.16
LAM2-3	1500	1500	1500	6.5 / 12	100	150	200	250	300	10	6	3	0.32
LAM2-4	1200	1200	800	8 / 14	100	150	200	250	300	10	6	3	0.4

\*Min. input power = Voltage x Current max.



\*\*Note: The test results are obtained by using the 24VDC power supply.



\*\*Note: The test results are obtained by using the 12VDC power supply.

## Ordering Information

**LAM2 - 1 - 1 - 200 - 24 G E**

Model number	Stroke length	Voltage	Color	Special models according to the customer's requirement (Ignore this part of the serial number if not available)
0 : Without internal limit switches 1 : Basic model complete with internal limit switches			B : Black G : Gray	

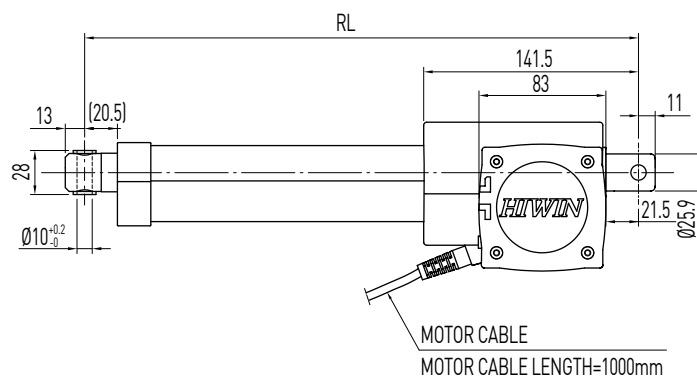
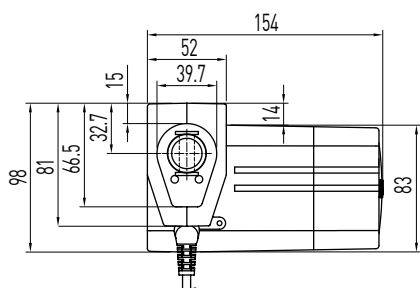
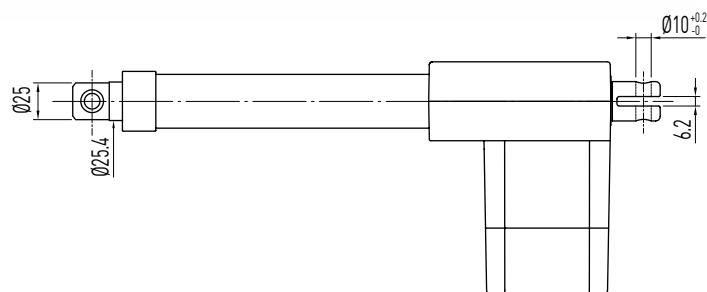


# Linear Actuator

## LAM Series

### 7. HIWIN LAM Series (3)

#### LAM3



- RL = S+171  
Stroke ≤ 300
- RL = S+221  
Stroke > 300
- RL: Retracted length
- S: Stroke length

Table 7.1 Specifications

Screw type	ACME
Weight*	2.95kg
Protection	IP54
Compatible controller	Compatible with all controllers (*Notice the type of connector: Audio/DIN 4pin)
Working temp.	+5°C~40°C

\* Stroke length 200mm

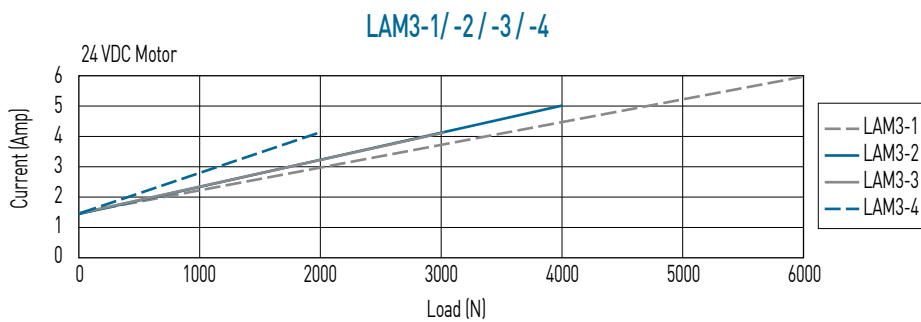
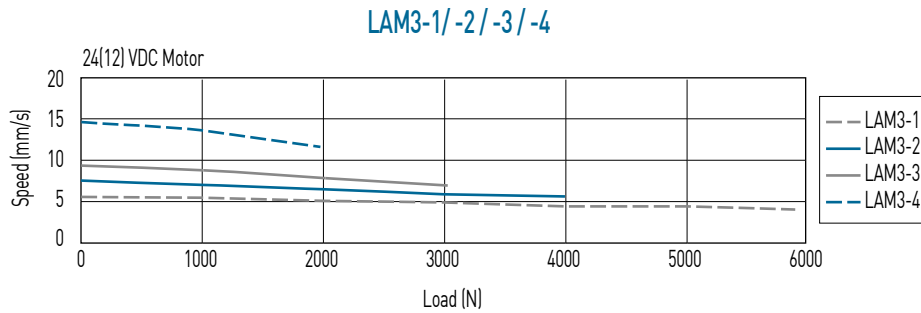
### Option:

- (1) IP66
- (2) Safety Nut (RL = S+183, S ≤ 300 / RL = S+233, S > 300)
- (3) Back fixture turned 90°
- (4) Plug: DIN 4PIN plug / Stereo plug / Mono plug

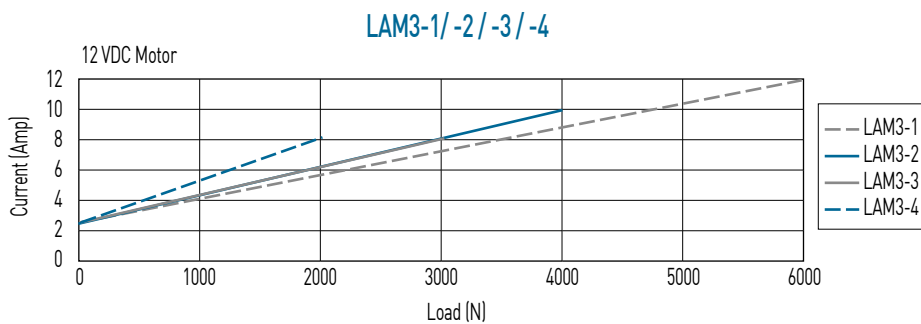
Table 7.2 LAM3 Specifications

Model	Thrust max. (N)	Pulling max. (N)	Holding max. (N)	Speed (mm/s) Load = Max. / Load = 0	Standard stroke (mm) : S							Duty cycle %	Current max. (A)	
					100	150	200	250	300	350	400		12VDC	24VDC
LAM3-1	6000	5000	5000	4 / 5.5	100	150	200	250	300	350	400	10	12	6
LAM3-2	4000	4000	4000	5.5 / 7.5	100	150	200	250	300	350	400	10	10	5
LAM3-3	3000	3000	3000	7 / 9	100	150	200	250	300	350	400	10	8	4
LAM3-4	2000	2000	1500	11.5 / 14.5	100	150	200	250	300	350	400	10	8	4

\*Min. input power = Voltage x Current max.

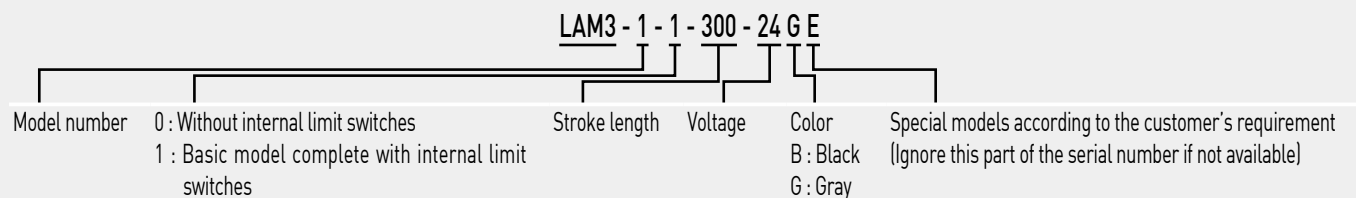


\*\*Note: The test results are obtained by using the 24VDC power supply.



\*\*Note: The test results are obtained by using the 12VDC power supply.

## Ordering Information



# Linear Actuator

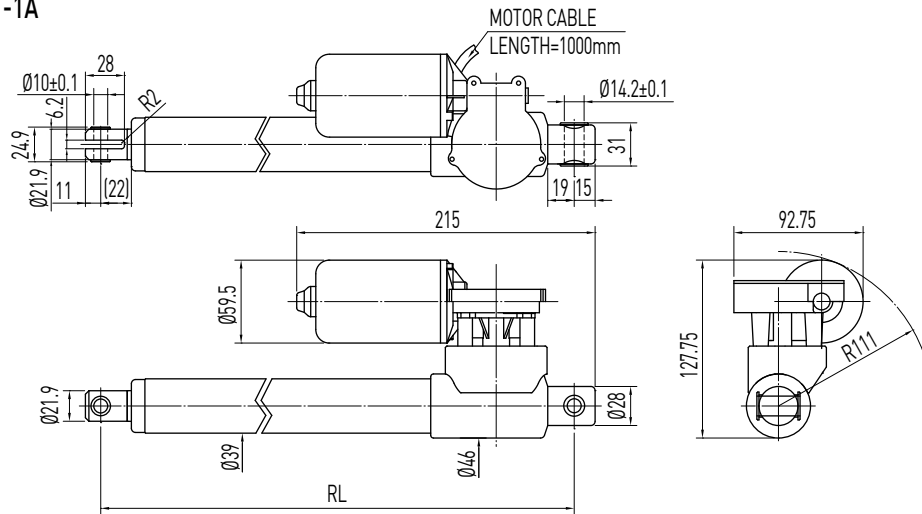
## LAI Series

### 8. HIWIN LAI Series (1)

#### LAI1

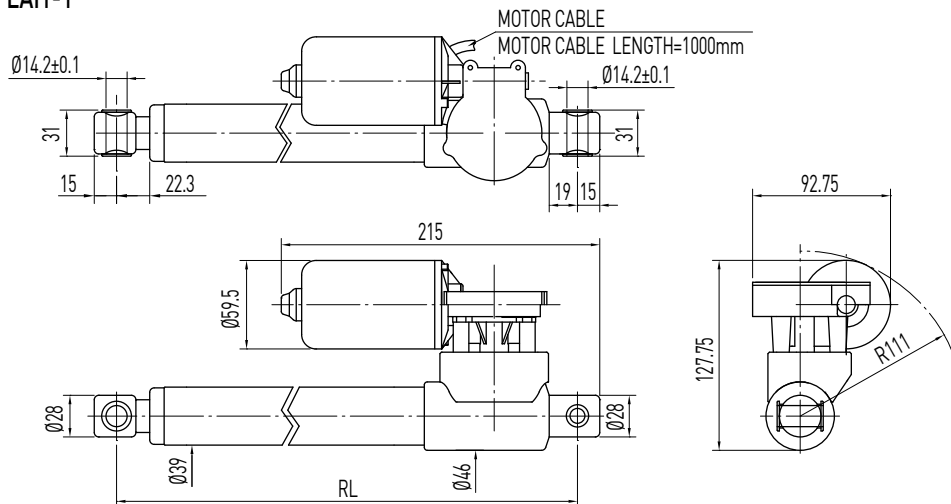


#### • LAI1-1A



- LAI1-1A
- RL = S+190
- Stroke  $\leq 300$
- RL = S+240
- Stroke  $> 300$
- RL: Retracted length
- S: Stroke length

#### • LAI1-1



- LAI1-1
- RL = S+170
- Stroke  $\leq 300$
- RL = S+220
- Stroke  $> 300$
- RL: Retracted length
- S: Stroke length

Table 8.1 Specifications

Screw type	Ball screw / ACME
Weight*	2.4kg
Protection	IP20
Compatible controller	LAK2 / LAK2LR / LAK2BN / LAK2J / LAK2D / LAK6B
Working temp.	+5°C~40°C

\* Stroke length 200mm

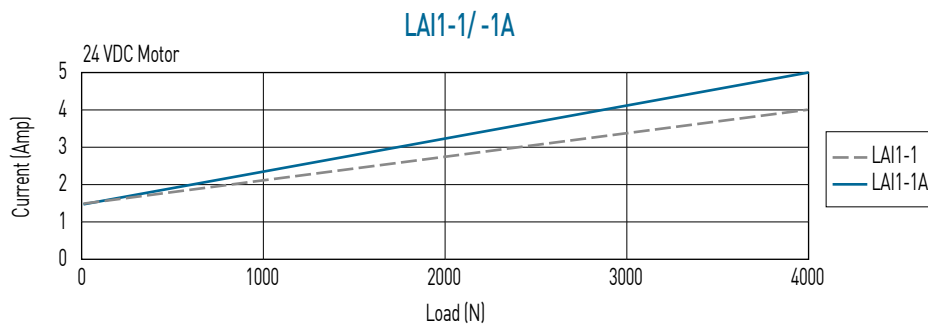
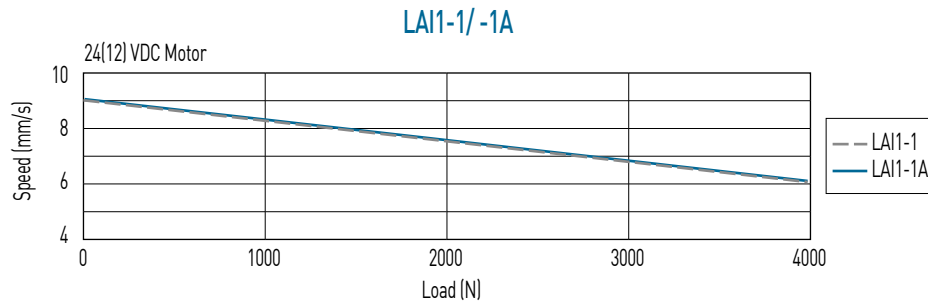
#### Option:

- (1) IP66
- (2) Hall sensor
- (3) Plug: DIN 4PIN plug / Stereo plug / Mono plug

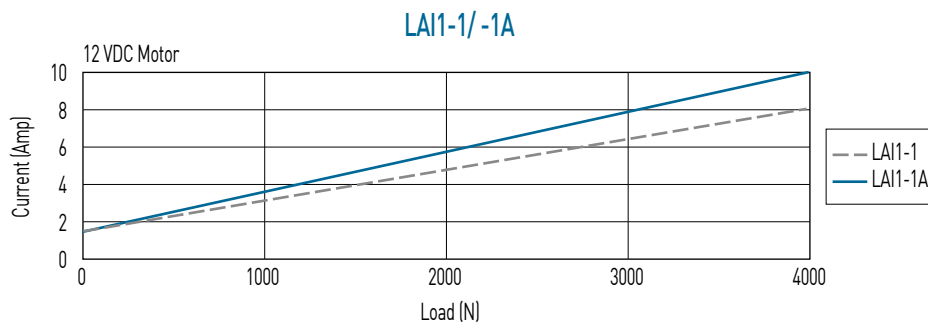
Table 8.2 LAI1 Specifications

Model	Screw type	Thrust max. (N)	Pulling max. (N)	Holding max. (N)	Speed (mm / s) Load = Max. / Load = 0	Standard stroke (mm) : S					Duty cycle %	Current max. (A)	
						100	150	200	250	300		12VDC	24VDC
LAI1-1	Ball screw	4000	4000	1200	6 / 9	100	150	200	250	300	10	8	4
LAI1-1A	ACME	4000	4000	3000	6 / 9	100	150	200	250	300	10	10	5

\*Min. input power = Voltage x Current max.

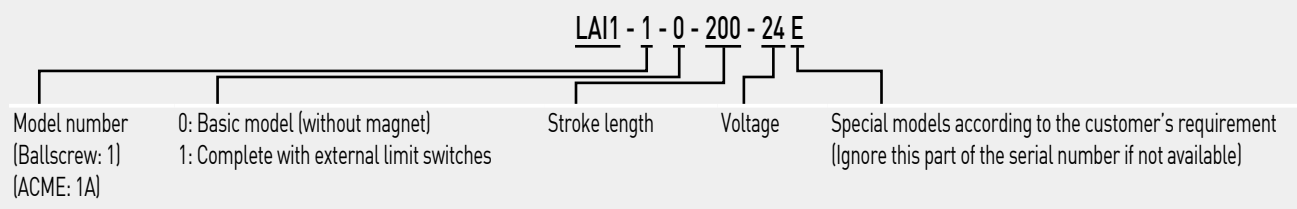


\*\*Note: The test results are obtained by using the 24VDC power supply.



\*\*Note: The test results are obtained by using the 12VDC power supply.

## Ordering Information



# Linear Actuator

## LAI Series

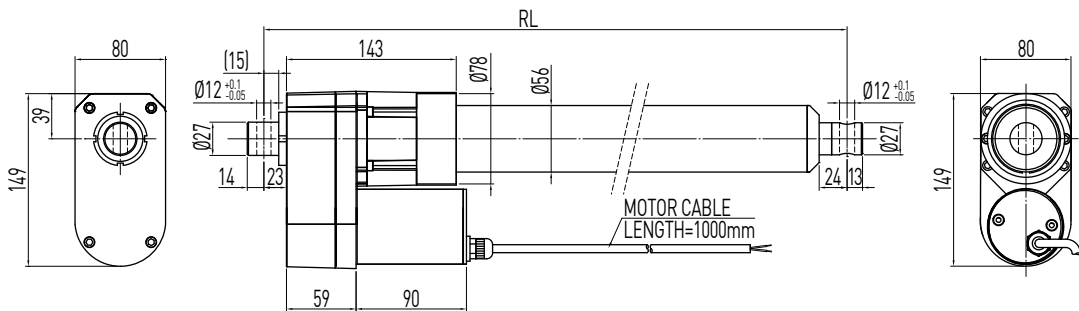
### 9. HIWIN LAI Series (2)

#### LAI2



• Without limit switch and without hall sensor drawing:

- RL = S+277
- Stroke ≤ 300
- RL = S+327
- Stroke ≤ 700
- RL = S+377
- Stroke ≤ 1000
- RL: Retracted length
- S: Stroke length



• With limit switch and with hall sensor drawing:

- RL = S+323
- Stroke ≤ 300
- RL = S+373
- Stroke ≤ 700
- RL = S+423
- Stroke ≤ 1000
- RL: Retracted length
- S: Stroke length

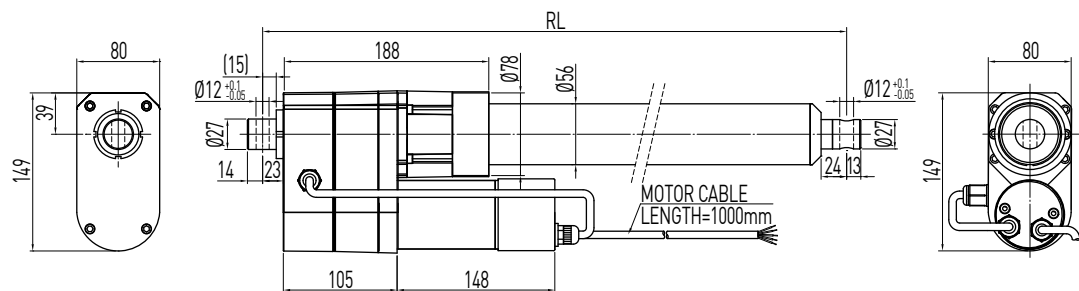


Table 9.1 Specifications

Screw type	Ball screw
Weight*	8kg
Protection	IP54
Compatible controller	Compatible with all controllers (*Notice the type of connector: Audio/DIN 4pin)
Working temp.	+5°C~40°C
* Stroke length 300mm	

#### Option:

- (1) IP66
- (2) Hall sensor
- (3) Limit switch
- (4) Clamp installed
- (5) Rod end with PHS20 Roller
- (6) Plug: DIN 4PIN plug / Stereo plug / Mono plug
- (7) Back fixture turned 0°, 45°, 90°, 135°

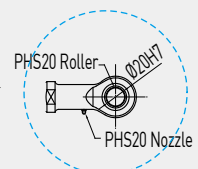
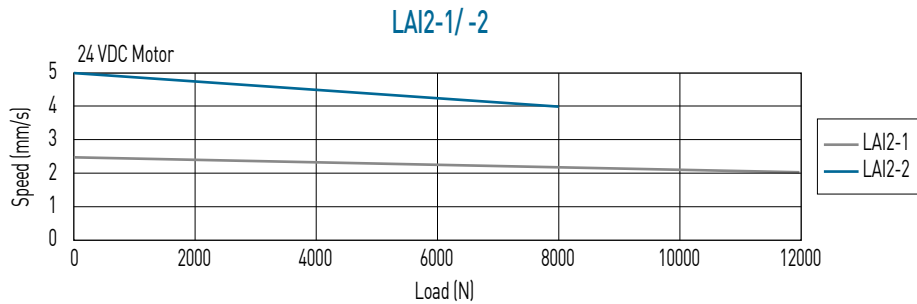


Table 9.2 LAI2 Specifications

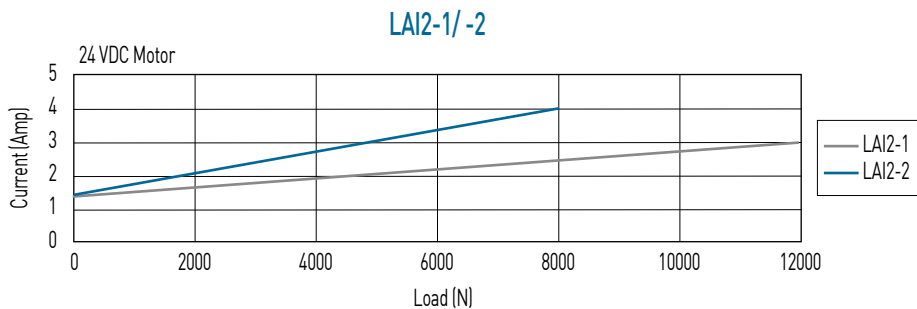
Model	Screw type	Thrust max. (N)	Pulling max. (N)	Holding max. (N)	Speed (mm/s) Load = Max. / Load = 0	Standard stroke (mm) : S					Duty cycle %	Current max. (A) 24VDC	Hall Sensor Resolution (mm/pulse)
						100	150	200	250	300			
LAI2-1	Ball screw	12000	10000	12000	2 / 2.5	100	150	200	250	300	10	3	1.26
LAI2-2	Ball screw	8000	8000	8000	4 / 5	100	150	200	250	300	10	4	2.54

\*The max. stroke lengths: 1000mm

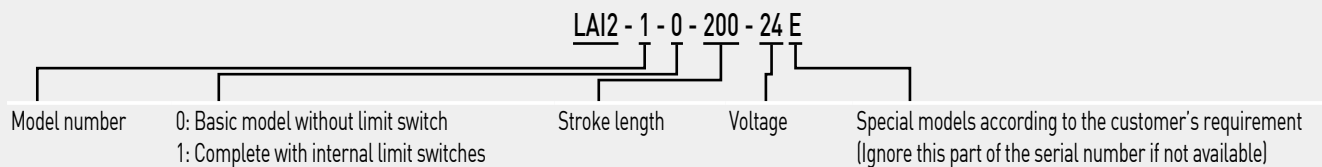
\*Min. input power = Voltage x Current max.



\*\*Note: The test results are obtained by using the 24VDC power supply.



## Ordering Information

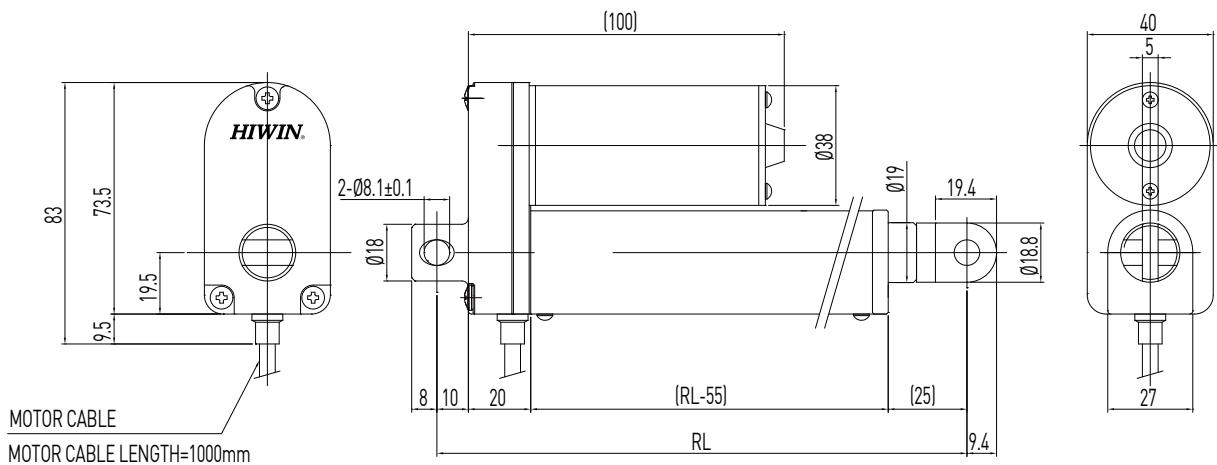


# Linear Actuator

## LAS Series

### 10. HIWIN LAS Series (1)

#### LAS1



- RL = S+119  
Stroke ≤ 250
- RL = S+169  
Stroke > 250
- RL : Retracted length
- S : Stroke length

Table 10.1 Specifications

Screw type	ACME
Weight*	1.04kg
Protection	IP54
Compatible controller	Compatible with all controllers (*Notice the type of connector: Audio/DIN 4pin)
Working temp.	+5°C-40°C

\* Stroke length 200mm

#### Option:

- (1) IP65
- (2) Back fixture turned 90
- (3) Rod end with flat connector  
(RL=S+110, S ≤ 250 / RL=S+160, S > 250)
- (4) 36VDC motor
- (5) External reed switches
- (6) Plastic gear (Max. load: 800N)
- (7) Plug : DIN 4PIN plug / Stereo plug / Mono plug

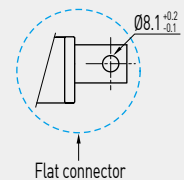
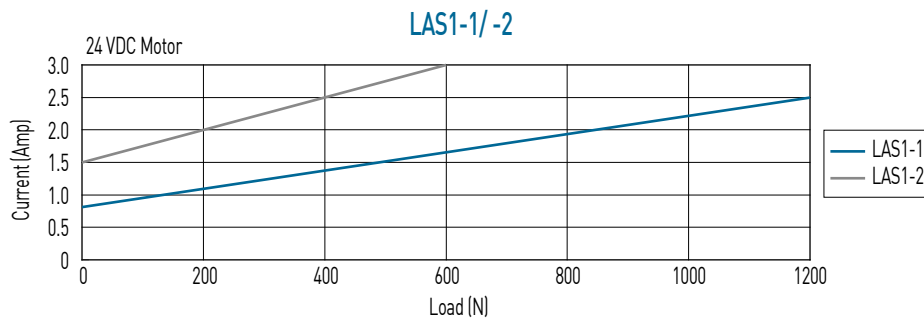
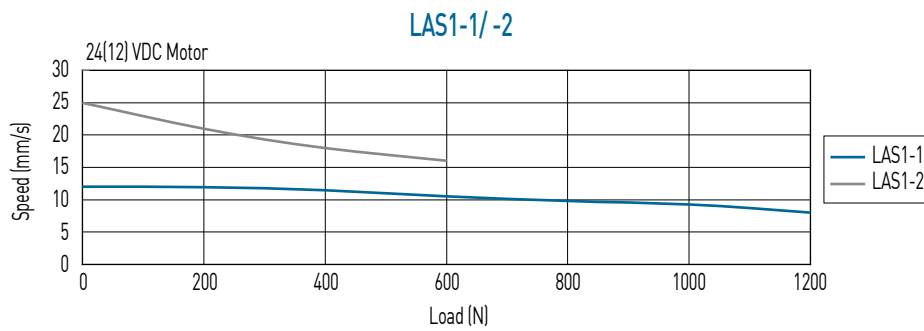


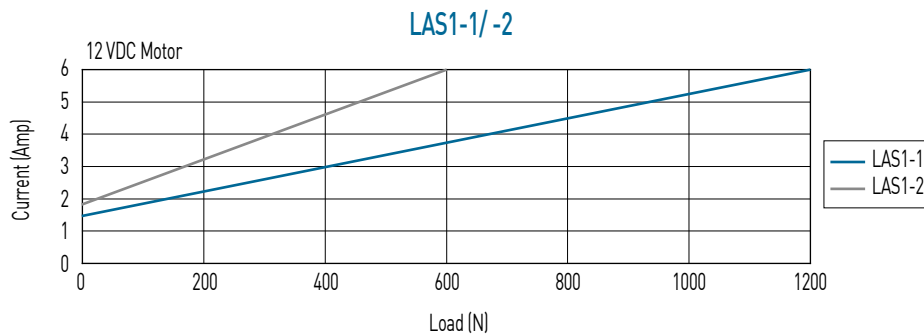
Table 10.2 LAS1 Specifications

Model	Thrust max. (N)	Pulling max. (N)	Holding max. (N)	Speed (mm / s) Load = Max. / Load = 0	Standard stroke (mm) : S					Duty cycle %	Current max. (A)	
					50	100	150	200	250		12VDC	24VDC
LAS1-1	1200	1200	800	8 / 12	50	100	150	200	250	10	6	2.5
LAS1-2	600	600	300	16 / 25	50	100	150	200	250	10	6	3

\*Min. input power = Voltage x Current max.



\*\*Note: The test results are obtained by using the 24VDC power supply.



\*\*Note: The test results are obtained by using the 12VDC power supply.

## Ordering Information

**LAS1 - 1 - 1 - 200 - 24 G E**

Model number	Stroke length	Voltage	Color	Special models according to the customer's requirement (Ignore this part of the serial number if not available)
0 : Without internal limit switches 1 : Basic model complete with internal limit switches			B : Black G : Gray	

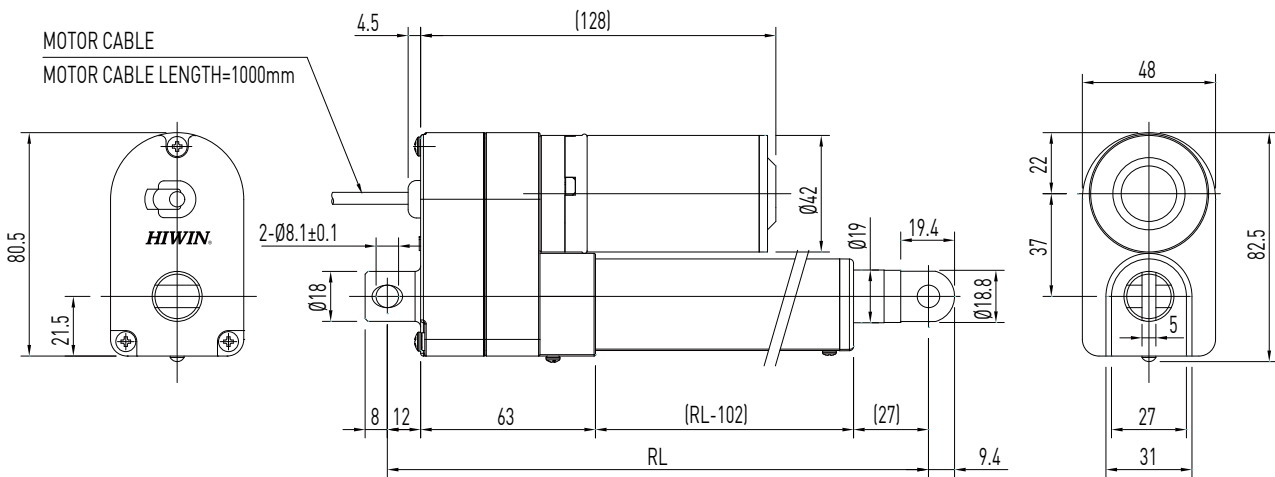


# Linear Actuator

## LAS Series

### 11. HIWIN LAS Series (2)

#### LAS2



- RL = S+146  
Stroke ≤ 250
- RL = S+196  
Stroke > 250
- RL: Retracted length
- S: Stroke length

Table 11.1 Specifications

Screw type	ACME
Weight*	1.3kg
Protection	IP54
Compatible controller	Compatible with all controllers (*Notice the type of connector: Audio/DIN 4pin)
Working temp.	+5°C~40°C

\* Stroke length 200mm

#### Option:

- (1) IP65
- (2) Position feedback
  - 1: Potentiometer 10k ohm (RL = S+154, S ≤ 250 / RL = S+204, S > 250)
  - 2: Optical sensor: PNP (standard), NPN, TTL
- (3) 36VDC motor
- (4) Back fixture turned 90°

Table 11.2 Position feedback specifications (Optical Sensor)

Supply voltage	24VDC	12VDC	5VDC
Output	High level 24VDC Low level 0.2V/40mA PNP* PS. Open collector	High level 12VDC Low level 0.2V/40mA PNP* PS. Open collector	TTL

\* Low noise

- (5) Rod end with flat connector (RL = S+133, S ≤ 250 / RL = S+183, S > 250)
- (6) Potentiometer+Rod end with flat connector  
(RL = S+141, S ≤ 250 / RL = S+191, S > 250)
- (7) Plug: DIN 4PIN plug / Stereo plug / Mono plug
- (8) UL version

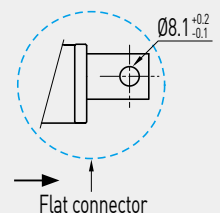
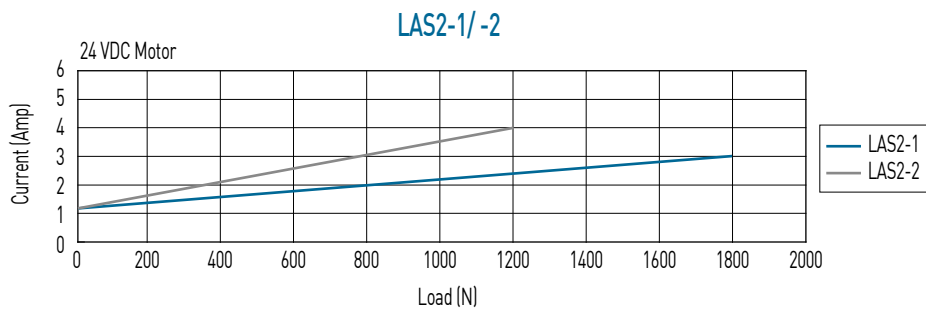
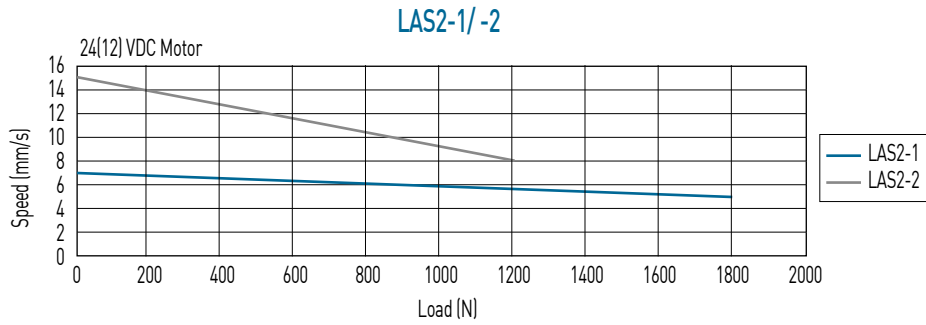


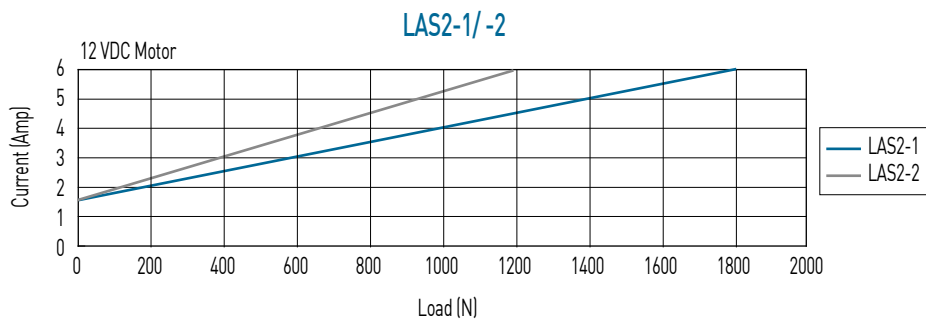
Table 11.3 **LAS2 Specifications**

Model	Thrust max. (N)	Pulling max. (N)	Holding max. (N)	Speed (mm / s) Load = Max. / Load = 0	Standard stroke (mm) : S					Duty cycle %	Current max. (A)		Optical Sensor Resolution (mm/pulse)	Potentiometer Resolution (Ohm/mm)
					50	100	150	200	250		12VDC	24VDC		
LAS2-1	1800	1200	1800	4.5 / 7	50	100	150	200	250	10	6	3	0.3175	21
LAS2-2	1200	1200	1000	8 / 15	50	100	150	200	250	10	6	4	0.635	10.5

\*Min. input power = Voltage x Current max.



\*\*Note: The test results are obtained by using the 24VDC power supply.



\*\*Note: The test results are obtained by using the 12VDC power supply.

## Ordering Information

**LAS2 - 1 - 1 - 200 - 24 G E**

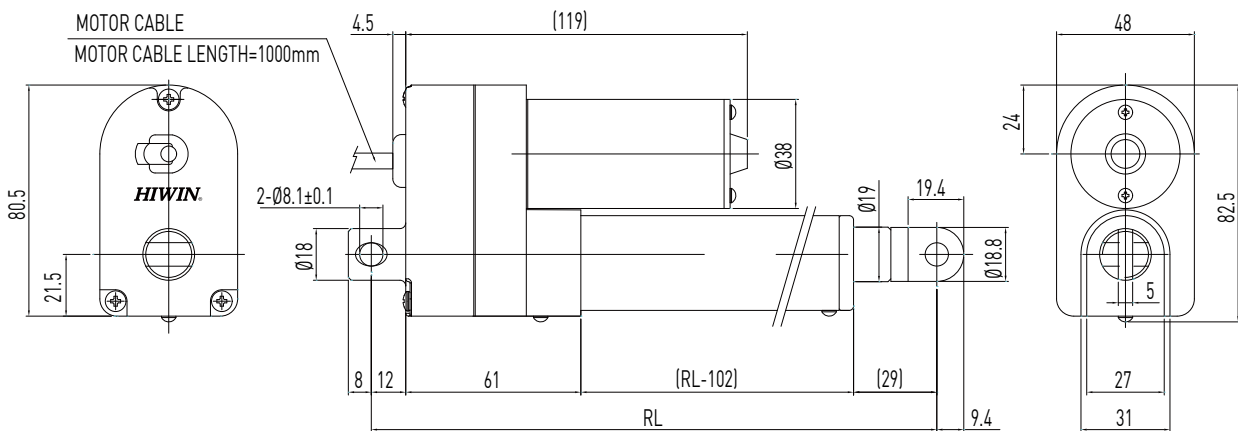
Model number	Stroke length	Voltage	Color	Special models according to the customer's requirement (Ignore this part of the serial number if not available)
0 : Without internal limit switches 1 : Basic model complete with internal limit switches			B : Black G : Gray	

# Linear Actuator

## LAS Series

### 12. HIWIN LAS Series (3)

#### LAS3



- RL = S+146  
Stroke  $\leq 250$
- RL = S+196  
Stroke  $> 250$
- RL: Retracted length
- S: Stroke length

Table 12.1 Specifications

Screw type	ACME
Weight*	1.27kg
Protection	IP54
Compatible controller	Compatible with all controllers (*Notice the type of connector: Audio/DIN 4pin)
Working temp.	+5°C~40°C

\* Stroke length 200mm

Table 12.2 Position feedback specifications (Optical Sensor)

Supply voltage	24VDC	12VDC	5VDC
Output	High level 24VDC Low level 0.2V/40mA PNP* PS. Open collector	High level 12VDC Low level 0.2V/40mA PNP* PS. Open collector	TTL

#### Option:

- (1) IP65
- (2) Position feedback
  - 1: Potentiometer 10k ohm (RL = S+154,  $S \leq 250$  / RL = S+204,  $S > 250$ )
  - 2: Optical sensor: PNP (standard), NPN. TTL
- (3) 36VDC motor

- (4) Back fixture turned 90°
- (5) Rod end with flat connector (RL = S+133,  $S \leq 250$  / RL = S+183,  $S > 250$ )
- (6) Potentiometer+Rod end with flat connector  
(RL = S+141,  $S \leq 250$  / RL = S+191,  $S > 250$ )
- (7) Plug : DIN 4PIN plug / Stereo plug / Mono plug

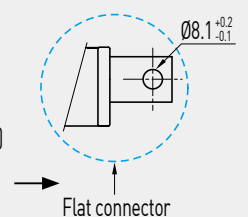
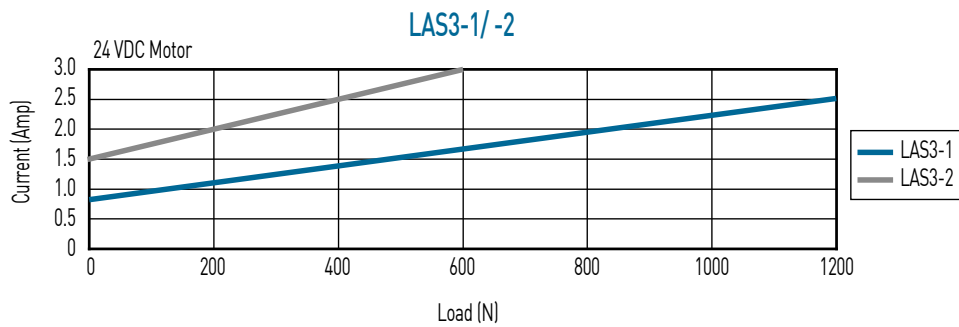
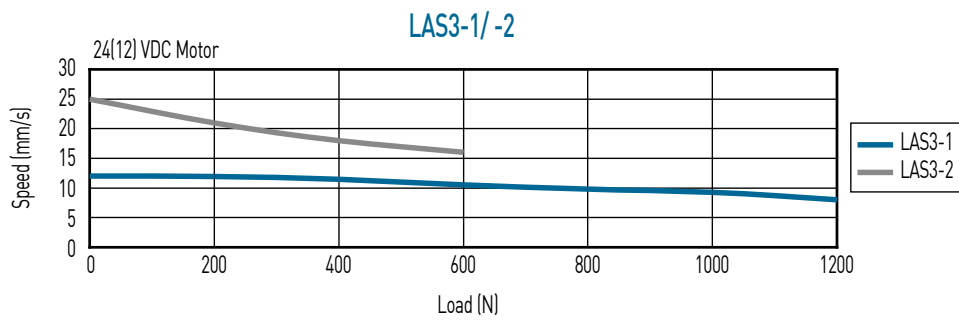


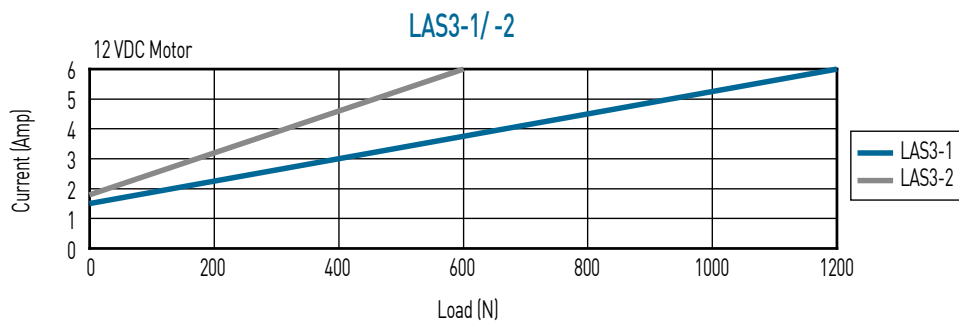
Table 12.3 LAS3 Specifications

Model	Thrust max. (N)	Pulling max. (N)	Holding max. (N)	Speed (mm / s) Load = Max. / Load = 0	Standard stroke (mm) : S					Duty cycle %	Current max. (A)		Optical Sensor Resolution (mm/pulse)	Potentiometer Resolution (Ohm/mm)
					50	100	150	200	250		12VDC	24VDC		
LAS3-1	1200	1200	800	8 / 12	50	100	150	200	250	10	6	2.5	0.3175	21
LAS3-2	600	600	300	16 / 25	50	100	150	200	250	10	6	3	0.635	10.5

\*Min. input power = Voltage x Current max.



\*\*Note: The test results are obtained by using the 24VDC power supply.



\*\*Note: The test results are obtained by using the 12VDC power supply.

## Ordering Information

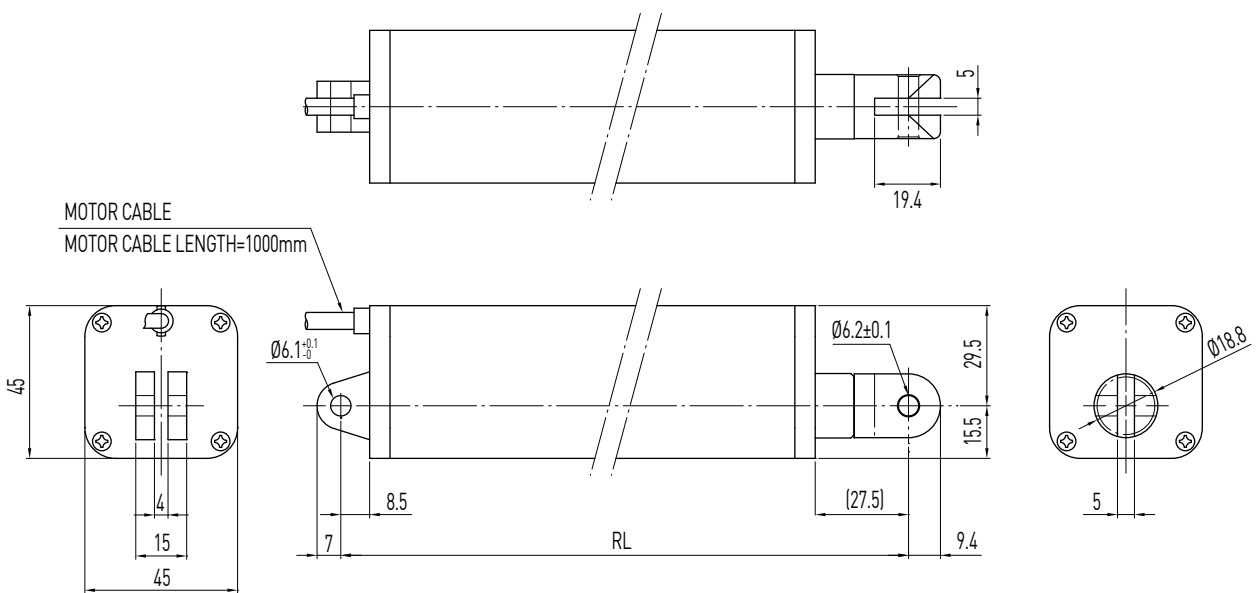
LAS3 - 1 - 1 - 200 - 24 G E				
Model number	0 : Without internal limit switches 1 : Basic model complete with internal limit switches	Stroke length	Voltage	Color B : Black G : Gray
				Special models according to the customer's requirement (Ignore this part of the serial number if not available)

# Linear Actuator

## LAS Series

### 13. HIWIN LAS Series (4)

#### LAS4



- RL = S+222.5  
Stroke ≤ 300
- RL = S+272.5  
Stroke > 300
- RL: Retracted length
- S: Stroke length

Table 13.1 Specifications

Screw type	ACME
Weight*	1.36kg
Protection	IP54
Compatible controller	Compatible with all controllers (*Notice the type of connector: Audio/DIN 4pin)
Working temp.	+5°C~40°C

\* Stroke length 200mm

Table 13.2 Position feedback specifications (Hall Sensor)

Supply voltage	24VDC	12VDC	5VDC
Output	High level 24VDC Low level 0.2V / 10mA sink (NPN)	High level 12VDC Low level 0.2V / 10mA sink (NPN)	TTL

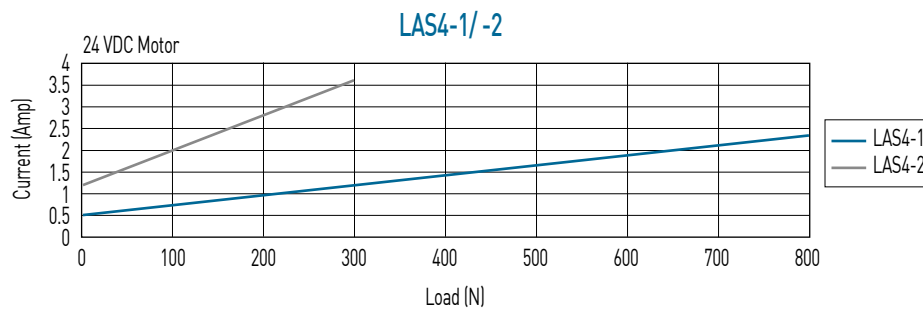
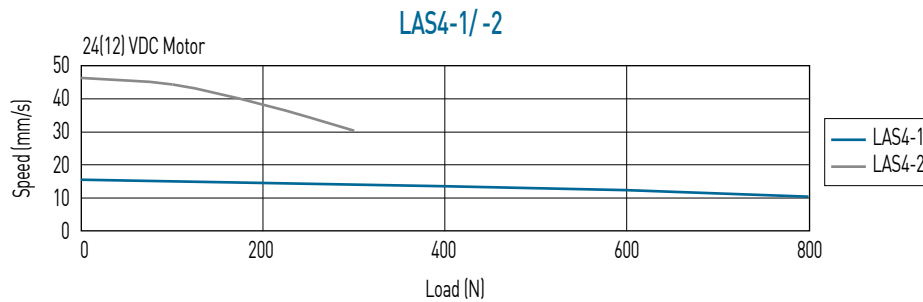
#### Option:

- (1) IP65
- (2) Hall sensor (RL = S+226, S ≤ 300 / RL = S+276, S > 300)
- (3) Plug: DIN 4PIN plug/Stereo plug/Mono plug

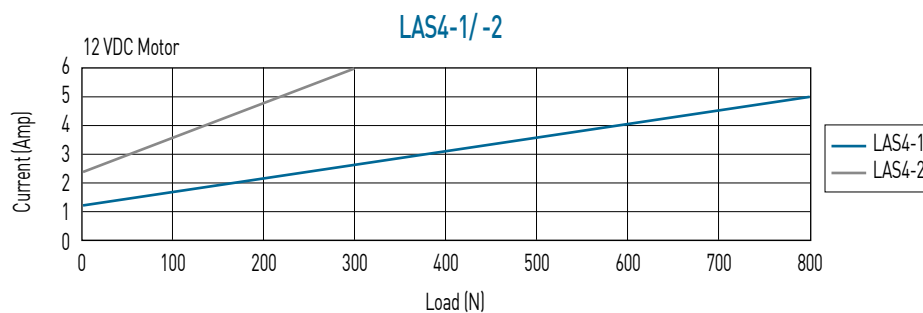
Table 13.3 LAS4 Specifications

Model	Thrust max. (N)	Pulling max. (N)	Holding max. (N)	Speed (mm / s) Load = Max. / Load = 0	Standard stroke (mm) : S					Duty cycle %	Current max. (A)		Hall Sensor Resolution (mm/pulse)
					100	150	200	250	300		12VDC	24VDC	
LAS4-1	800	800	600	10 / 15	100	150	200	250	300	10	5	2.3	0.0085
LAS4-2	300	300	200	30 / 46	100	150	200	250	300	10	6	3.6	0.02

\*Min. input power = Voltage x Current max.

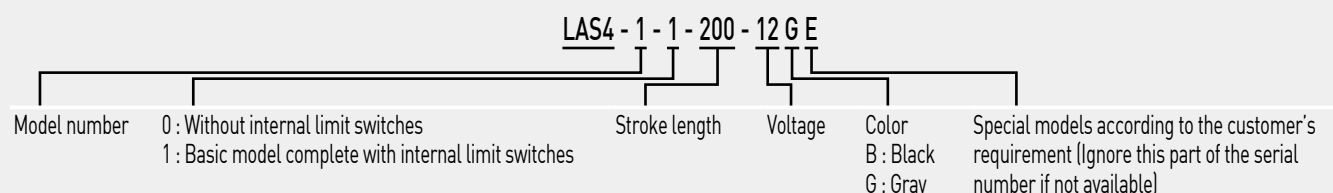


\*\*Note: The test results are obtained by using the 24VDC power supply.



\*\*Note: The test results are obtained by using the 12VDC power supply.

## Ordering Information



# Linear Actuator

## LAS Series

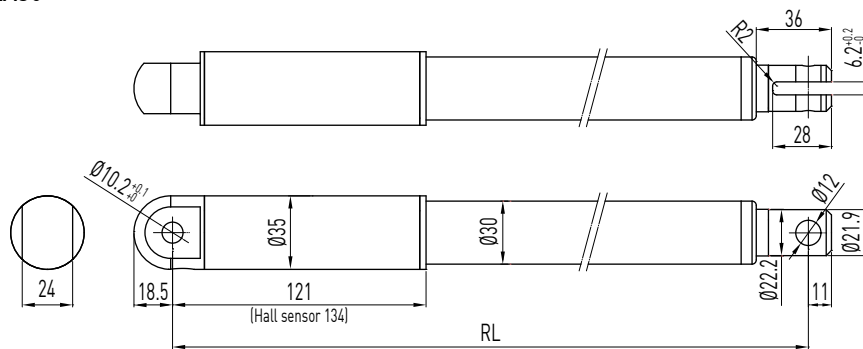
### 14. HIWIN LAS Series (5)

#### LAS5



#### LAS5

- LAS5  
 RL = S+205  
 Stroke ≤ 300  
 RL = S+255  
 Stroke > 300  
 RL: Retracted length  
 S: Stroke length



#### LAS5A

- LAS5A  
 RL = S+240  
 Stroke ≤ 300  
 RL = S+290  
 Stroke > 300  
 RL: Retracted length  
 S: Stroke length

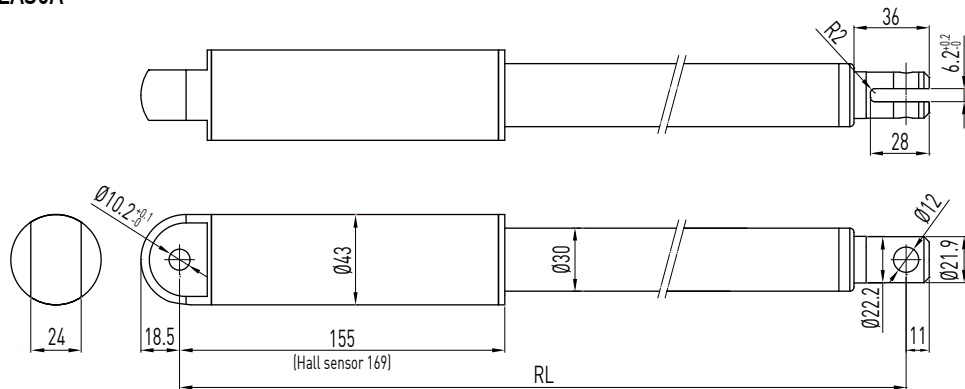


Table 14.1 Specifications

Screw type	ACME
Weight*	1.5kg
Protection	IP54
Compatible controller	LAK2/LAK2BN/LAK6B
Working temp.	+5°C~40°C

\* Stroke length 100mm

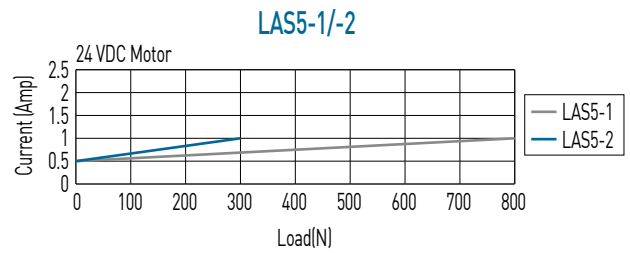
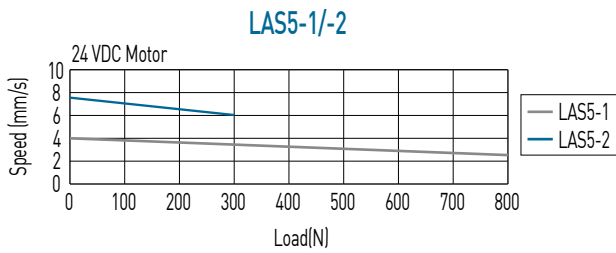
#### Option:

- (1) Hall sensor  
 [ LAS5:RL = S+218, S ≤ 300/RL = S+268, S > 300;  
 LAS5A:RL = S+254, S ≤ 300/RL = S+304, S > 300 ]
- (2) Safety nut
- (3) Reed switches
- (4) IP66
- (5) Plug: DIN 4PIN plug / Stereo plug / Mono plug

Table 14.2 LAS5 Specifications

Model	Thrust max. (N)	Pulling max. (N)	Holding max. (N)	Speed (mm / s) Load = Max. / Load = 0	Standard stroke (mm) : S					Duty cycle %	Current max. (A) 24VDC	Hall Sensor Resolution (mm/pulse)
					100	150	200	250	300			
LAS5-1	800	800	600	2.5 / 4	100	150	200	250	300	10	1	0.0084
LAS5-2	300	300	200	6 / 7.5	100	150	200	250	300	10	1	0.014

\*Min. input power = Voltage x Current max.

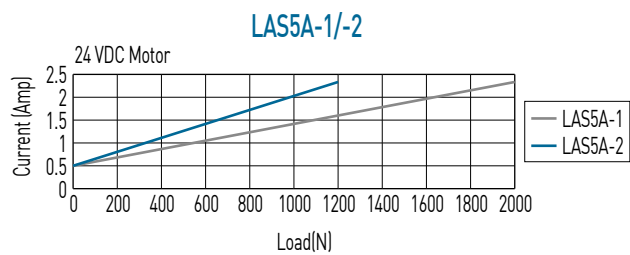
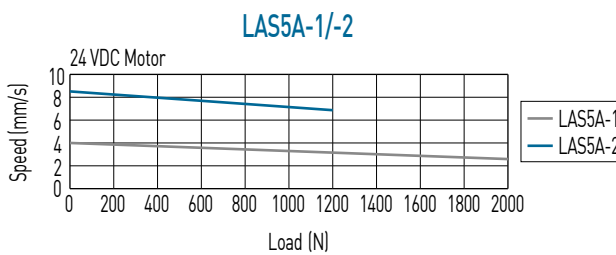


\*\*Note: The test results are obtained by using the 24VDC power supply.

Table 14.3 LAS5A Specifications

Model	Thrust max. (N)	Pulling max. (N)	Holding max. (N)	Speed (mm / s) Load = Max. / Load = 0	Standard stroke (mm) : S					Duty cycle %	Current max. (A) 24VDC	Hall Sensor Resolution (mm/pulse)
					100	150	200	250	300			
LAS5A-1	2000	2000	1500	2.5 / 4	100	150	200	250	300	10	2.3	0.0084
LAS5A-2	1200	1200	800	7 / 8.5	100	150	200	250	300	10	2.3	0.014

\*Min. input power = Voltage x Current max.



\*\*Note: The test results are obtained by using the 24 VDC power supply.

## Ordering Information

LAS5A - 1 - 0 - 200 - 24 B E					
Model number	0 : Basic model 1 : Complete with External limit switches	Stroke length	Voltage	Color B : Black	Special models according to the customer's requirement (Ignore this part of the serial number if not available)



# Linear Actuator

## LAN Series

### 15. HIWIN LAN Series (1)

#### LAN1

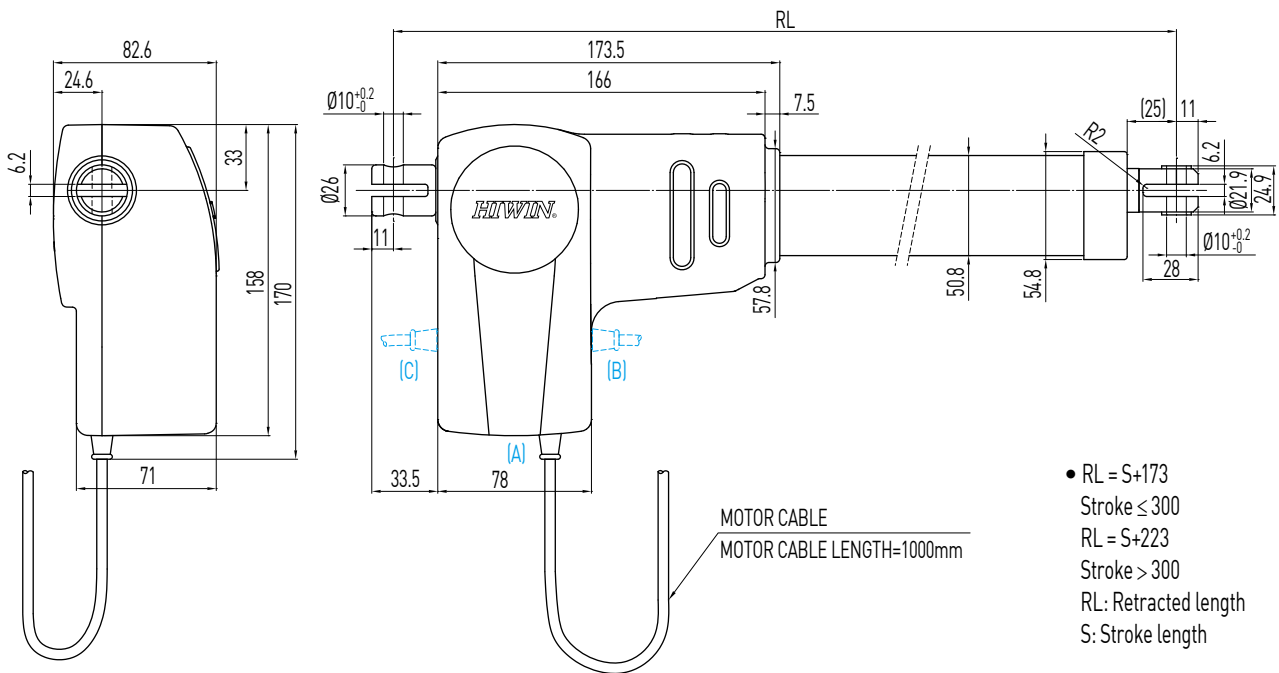


Table 15.1 Specifications

Screw type	ACME
Weight*	2.6kg
Protection	IP54
Compatible controller	Compatible with all controllers (*Notice the type of connector: Audio/DIN 4pin)
Working temp.	+5°C~40°C

\* Stroke length 200mm

Table 15.2 Position feedback specifications (Hall Sensor)

Supply voltage	24VDC	12VDC	5VDC
Output	High level 24VDC Low level 0.2V / 10mA sink (NPN)	High level 12VDC Low level 0.2V / 10mA sink (NPN)	TTL

#### Option:

- (1) IP66
- (2) Position feedback
- (3) Safety Nut [RL = S+185, S ≤ 300 / RL = S+235, S > 300]
- (4) Mechanical Spline (push only) [RL = S+223, S ≤ 300 / RL = S+273, S > 300]
- (5) Back fixture turned 90°

- (6) Mechanical quick release (RL=S+230), Only for LAN1-4
- (7) Motor cable outlet: (A)Standard (B)Front (C)Back.
- (8) 36VDC motor
- (9) UL version
- (10) Plug: DIN 4PIN plug / Stereo plug / Mono plug

Table 15.3 Standard Motor

Model	Thrust max. (N)	Pulling max. (N)	Holding max. (N)	Speed (mm/s) Load = Max. / Load = 0	Standard stroke (mm) : S					Duty cycle %	Current max. (A) 24VDC	Hall Sensor Resolution (mm/pulse)
					100	150	200	250	300			
LAN1-1	6000	5000	5000	2.7 / 5	100	150	200	250	300	10	4	0.3
LAN1-2	4000	4000	4000	5 / 7	100	150	200	250	300	10	4	0.5

\*\*Note: The test results are obtained by using the 24VDC power supply and holding by motor short-circuited.

\*Min. input power = Voltage x Current max.

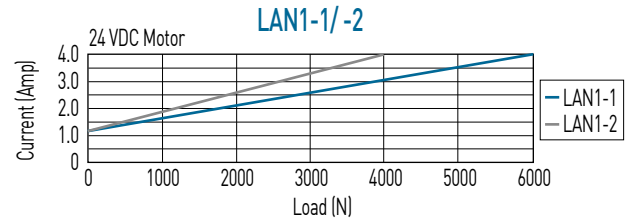
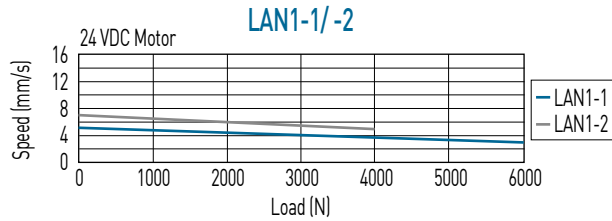


Table 15.4 Fast Motor 24Q

Model	Thrust max. (N)	Pulling max. (N)	Holding max. (N)	Speed (mm/s) Load = Max. / Load = 0	Standard stroke (mm) : S					Duty cycle %	Current max. (A) 24VDC	Hall Sensor Resolution (mm/pulse)
					100	150	200	250	300			
LAN1-1	6000	5000	5000	5 / 7	100	150	200	250	300	10	6	0.3
LAN1-2	4000	4000	4000	7 / 9	100	150	200	250	300	10	6	0.4
LAN1-3	3000	3000	3000	9 / 11.5	100	150	200	250	300	10	6	0.5
LAN1-4	2000	2000	2000	12 / 17	100	150	200	250	300	10	5.5	0.8

\*\*Note: The test results are obtained by using the 24VDC power supply and holding by motor short-circuited.

\*Min. input power = Voltage x Current max.

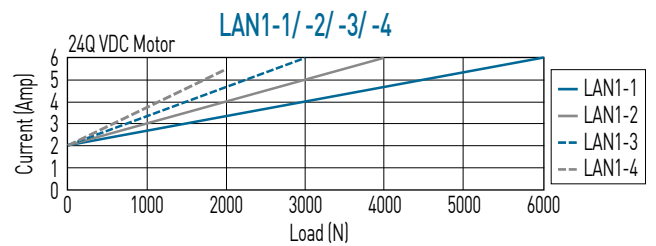
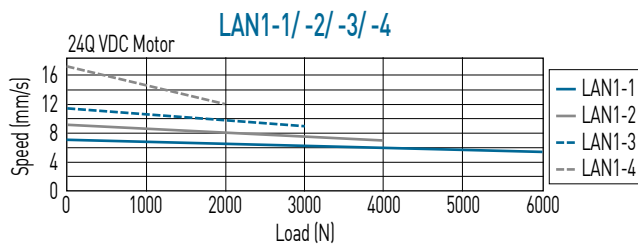
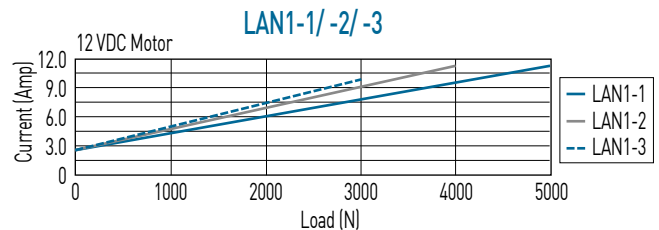
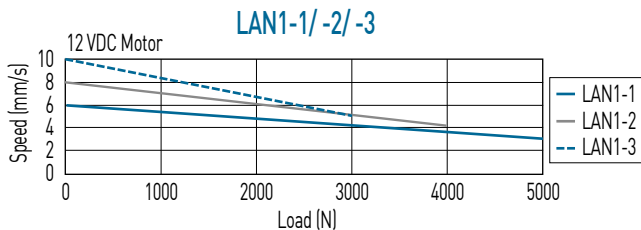


Table 15.5 12VDC Motor

Model	Thrust max. (N)	Pulling max. (N)	Holding max. (N)	Speed (mm/s) Load = Max. / Load = 0	Standard stroke (mm) : S					Duty cycle %	Current max. (A) 12VDC	Hall Sensor Resolution (mm/pulse)
					100	150	200	250	300			
LAN1-1	5000	5000	5000	3 / 6	100	150	200	250	300	10	11	0.3
LAN1-2	4000	4000	4000	4 / 8	100	150	200	250	300	10	11	0.4
LAN1-3	3000	3000	3000	5 / 10	100	150	200	250	300	10	10	0.5

\*\*Note: The test results are obtained by using the 12VDC power supply and holding by motor short-circuited.

\*Min. input power = Voltage x Current max.



## Ordering Information

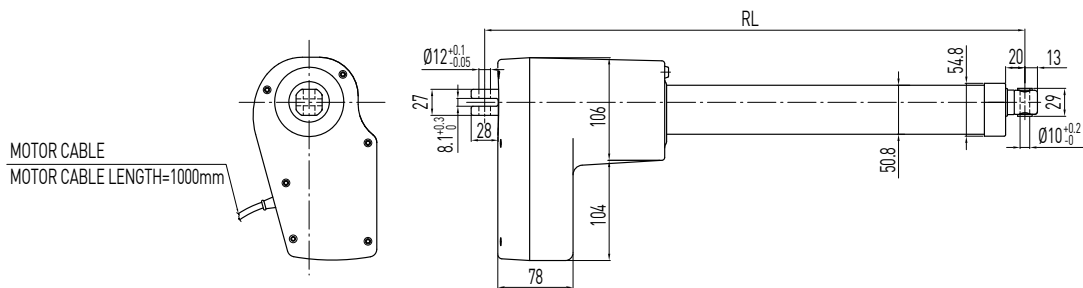
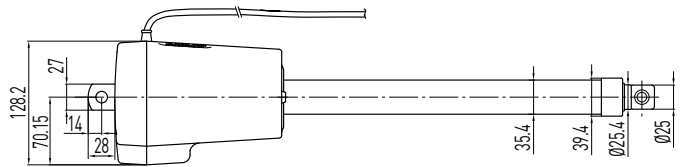
LAN1 - 1 1 - 1 - 200 - 24 G E						
Model number	Force direction	0 : Without internal limit switches 1 : Basic model complete with internal limit switches	Stroke length	Voltage	Color	Special models according to the customer's requirement (Ignore this part of the serial number if not available)
	1: Standard 2: Suspending install, pull			24: Standard motor 24Q: Fast motor 12: 12VDC Standard	B : Black G : Gray	

# Linear Actuator

## LAN Series

### 16. HIWIN LAN Series (2)

#### LAN3



- RL = S+210  
Stroke < 200
- RL = S+260  
Stroke: 200-500mm
- RL: Retracted length
- S: Stroke length

Table 16.1 Specifications

Screw type	ACME
Weight*	5.31kg
Protection	IP54
Compatible controller	LAK6B / LAK2J
Working temp.	+5°C~40°C

\* Stroke length 200mm

### Option:

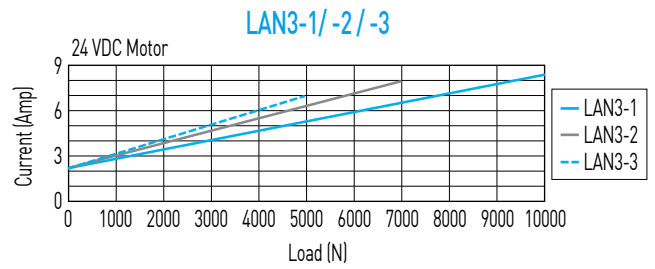
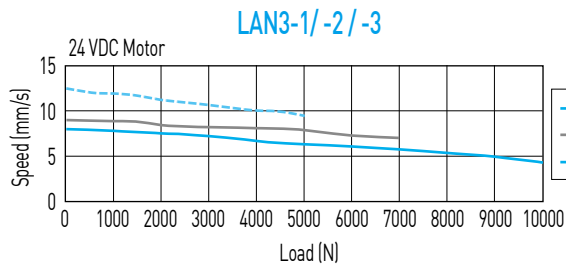
- (1) IP66
- (2) Potentiometer 10K ohm (RL = S+221, S < 200mm / RL = S+271, S: 200-500mm)  
\* The max. stroke lengths with potentiometer: LAN3-1 Max.250mm, LAN3-2, Max.330mm, LAN3-3 Max.420mm
- (3) Mechanical Spline (RL = S+252, S < 200mm / RL = S+302, S: 200-500mm)
- (4) Safety Nut (RL = S+222, S < 200mm / RL = S+272, S: 200-500mm);  
Safety Nut+Mechanical Spline (RL = S+259, S < 200mm / RL = S+309, S = 200-500mm)
- (5) Mechanical quick release
- (6) Back fixture turned 90°
- (7) Fast motor 24Q
- (8) 36VDC motor
- (9) External reed switches (RL = S+290, S < 200mm / RL = S+340, S = 200-500mm)
- (10) MR Sensor feedback
- (11) Plug: DIN 4PIN plug / Stereo plug / Mono plug
- (12) UL Version

Table 16.2 LAN3 Specifications

Model	Thrust max. (N)	Pulling max. (N)	Holding max. (N)	Speed (mm/s) Load = Max. / Load = 0	Standard stroke (mm) : S										Duty cycle %	Current max. (A) 24VDC	Potentiometer Resolution (Ohm/mm)	MR Sensor Resolution (mm/pulse)
					100	150	200	250	300	350	400	450	500	550				
LAN3-1	10000	6000	10000	4.5 / 8	100	150	200	250	300	350	400	-	-	10	8.3	37.5	0.16	
LAN3-2	7000	6000	7000	6.5 / 9	100	150	200	250	300	350	400	450	500	10	8	28	0.22	
LAN3-3	5000	5000	5000	9 / 12.5	100	150	200	250	300	350	400	450	500	10	7	22.5	0.27	

\* Stroke over 200mm (included), RL=S+260

\* Min. input power = Voltage x Current max.



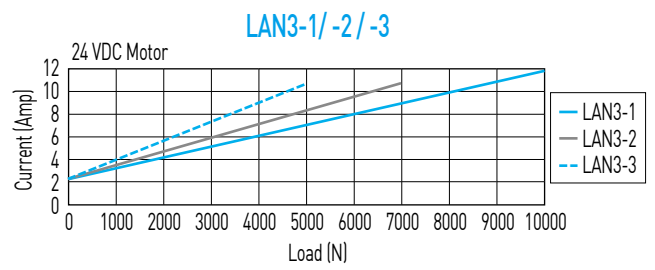
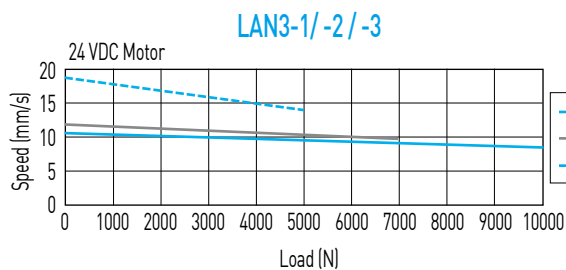
\*\*Note: The test results are obtained by using the 24VDC power supply and holding by motor short-circuited.

Table 16.3 Fast Motor 24Q

Model	Thrust max. (N)	Pulling max. (N)	Holding max. (N)	Speed (mm/s) Load = Max. / Load = 0	Standard stroke (mm) : S										Duty cycle %	Current max. (A) 24VDC	Potentiometer Resolution (Ohm/mm)	MR Sensor Resolution (mm/pulse)
					100	150	200	250	300	350	400	450	500	550				
LAN3-1	10000	6000	10000	7 / 11	100	150	200	250	300	350	400	-	-	10	12	37.5	0.16	
LAN3-2	7000	6000	7000	9 / 13	100	150	200	250	300	350	400	450	500	10	11	28	0.22	
LAN3-3	5000	5000	5000	13 / 18	100	150	200	250	300	350	400	450	500	10	11	22.5	0.27	

\* Stroke over 200mm (included), RL=S+260

\* Min. input power = Voltage x Current max.



\*\*Note: The test results are obtained by using the 24VDC power supply and holding by motor short-circuited.

## Ordering Information

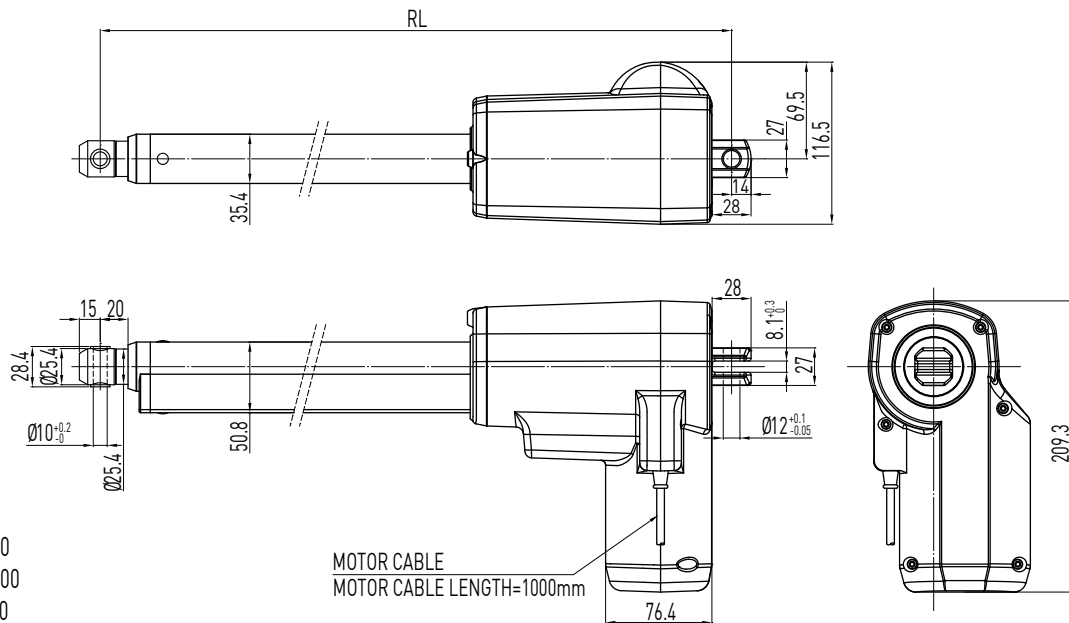
LAN3 - 1 1 - 1 - 200 - 24 G E						
Model number	Force direction	1: Basic model complete with internal limit switches	Stroke length	Voltage	Color	Special models according to the customer's requirement (Ignore this part of the serial number if not available)
	1: Standard 2: Suspending install, pull			24: Standard motor 24Q: Fast motor	B : Black G : Gray	

# Linear Actuator

## LAN Series

### 17. HIWIN LAN Series (3)

#### LAN3A



- RL = S+220  
Stroke < 200
- RL = S+260  
Stroke: 200~500mm
- RL: Retracted length
- S: Stroke length

Table 17.1 Specifications

Screw type	ACME
Weight*	5.2kg
Protection	IP54
Compatible controller	LAK6B / LAK2J
Working temp.	+5°C~40°C

\* Stroke length 200mm

### Apply:

Large thrust with (1.2Nt)

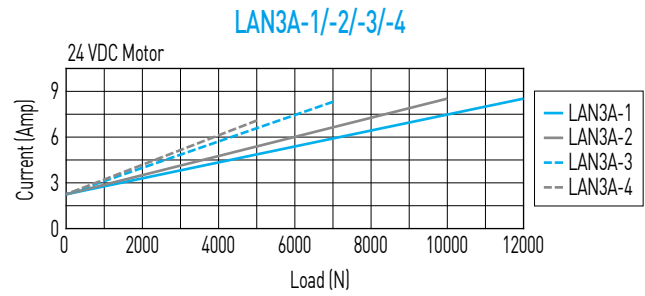
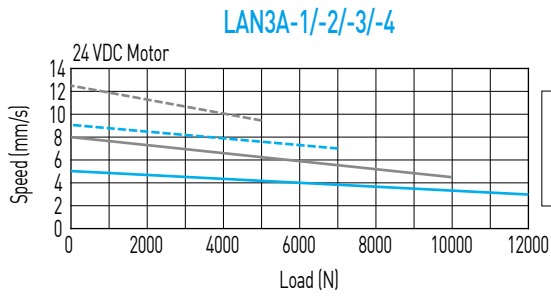
### Option:

- (1) IP66
- (2) Potentiometer 10K ohm (RL = S+231 , S < 200mm / RL = S+271 , S: 200~500mm)  
\* The max. stroke lengths with potentiometer: LAN3A-1 Max.280mm, LAN3A-2 Max.420mm, LAN3A-3 Max.560mm, LAN3A-4 Max.700mm
- (3) Mechanical Spline (RL = S+262 , S < 200mm / RL = S+302 , S: 200~500mm)
- (4) Safety Nut (RL = S+232 , S < 200mm / RL = S+272 , S: 200~500mm);  
Safety Nut+Mechanical Spline (RL = S+269 , S < 200mm / RL = S+309 , S = 200~500mm)
- (5) Mechanical quick release
- (6) Back fixture turned 90°
- (7) Fast motor 24Q
- (8) 36VDC motor
- (9) External reed switches (RL = S+300 , S < 200mm / RL = S+340 , S = 200~500mm)
- (10) MR Sensor feedback
- (11) Plug: DIN 4PIN plug / Stereo plug / Mono plug
- (12) UL Version

Table 17.2 LAN3A Specifications

Model	Thrust max. (N)	Pulling max. (N)	Holding max. (N)	Speed (mm/s) Load = Max. / Load = 0	Standard stroke (mm) : S								Duty cycle %	Current max. (A) 24VDC	Potentiometer Resolution (Ohm/mm)	MR Sensor Resolution (mm/pulse)	
					100	150	200	250	300	350	400	450					500
LAN3A-1	12000	6000	12000	3/5	100	150	200	250	300	350	400	-	-	10	8.3	33.3	0.1
LAN3A-2	10000	6000	10000	4.5/8	100	150	200	250	300	350	400	-	-	10	8.3	22.2	0.16
LAN3A-3	7000	6000	7000	7/9	100	150	200	250	300	350	400	450	500	10	8	16.7	0.22
LAN3A-4	5000	5000	5000	9.5/12.5	100	150	200	250	300	350	400	450	500	10	7	13.3	0.27

\* Min. input power = Voltage x Current max.

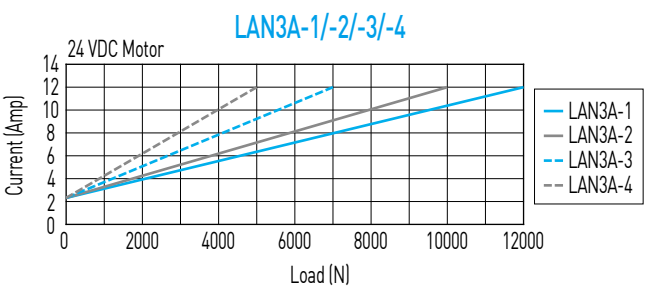
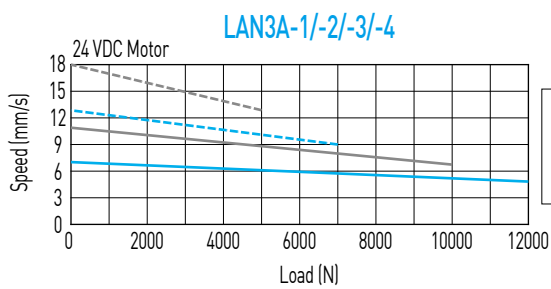


\*\*Note: The test results are obtained by using the 24VDC power supply and holding by motor short-circuited.

Table 17.3 LAN3A (Fast Motor 24Q)

Model	Thrust max. (N)	Pulling max. (N)	Holding max. (N)	Speed (mm/s) Load = Max. / Load = 0	Standard stroke (mm) : S								Duty cycle %	Current max. (A) 24VDC	Potentiometer Resolution (Ohm/mm)	MR Sensor Resolution (mm/pulse)	
					100	150	200	250	300	350	400	450					500
LAN3A-1	12000	6000	12000	4.5/7	100	150	200	250	300	350	400	-	-	10	12	33.3	0.1
LAN3A-2	10000	6000	10000	7/11	100	150	200	250	300	350	400	-	-	10	12	22.2	0.16
LAN3A-3	7000	6000	7000	9/13	100	150	200	250	300	350	400	450	500	10	12	16.7	0.22
LAN3A-4	5000	5000	5000	13/18	100	150	200	250	300	350	400	450	500	10	12	13.3	0.27

\* Min. input power = Voltage x Current max.



\*\*Note: The test results are obtained by using the 24VDC power supply and holding by motor short-circuited.

## Ordering Information

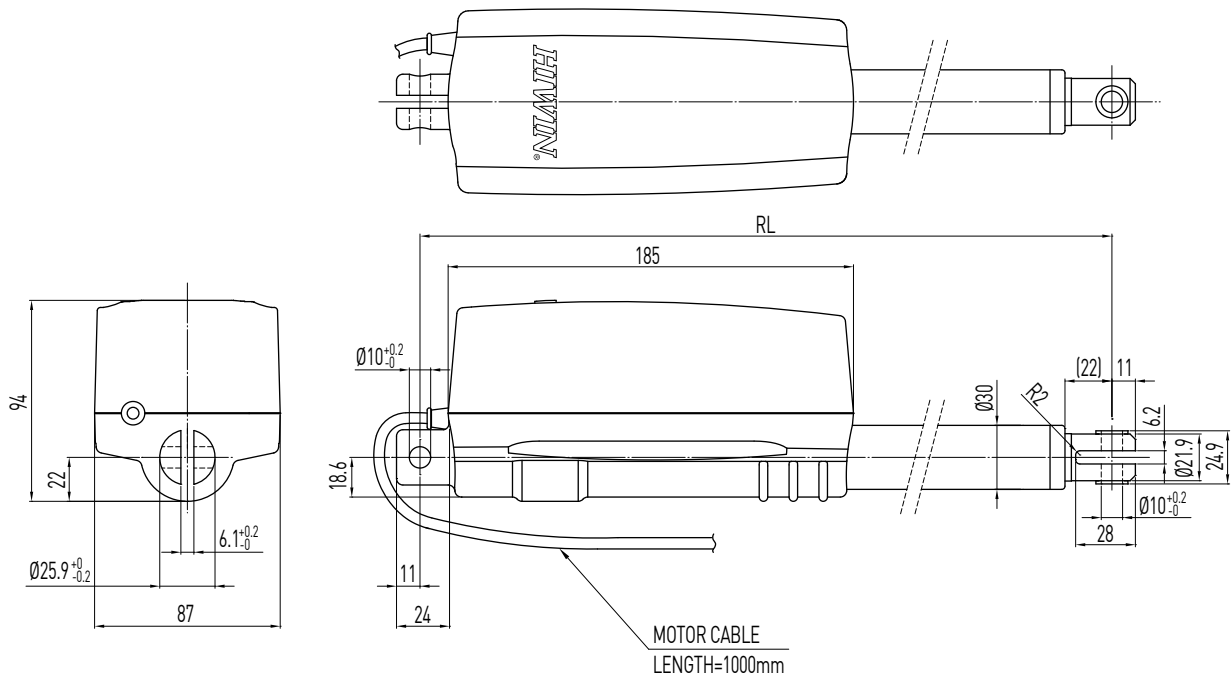
LAN3A - 1 1 - 1 - 200 - 24 G E						
Model number	Force direction	1: Basic model complete with internal limit switches	Stroke length	Voltage	Color	Special models according to the customer's requirement (Ignore this part of the serial number if not available)
	1: Standard 2: Suspending install, pull			24: Standard motor 24Q: Fast motor	B : Black G : Gray	

# Linear Actuator

## LAN Series

### 18. HIWIN LAN Series (4)

#### LAN4



- RL = S+160  
Stroke  $\leq 400$
- RL = S+210  
Stroke  $> 400$
- RL: Retracted length
- S: Stroke length

Table 18.1 Specifications

Screw type	ACME
Weight*	2.33kg
Protection	IP54
Compatible controller	LAK2 / LAK2LR / LAK2D / LAK2BN / LAK2J / LAK6B
Working temp.	+5°C~40°C

\* Stroke length 200mm

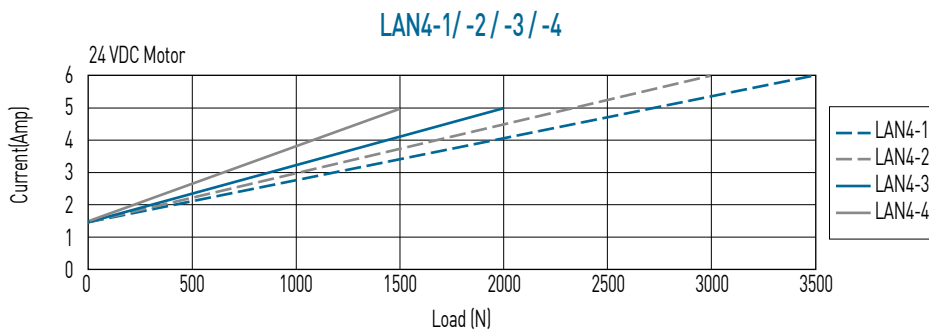
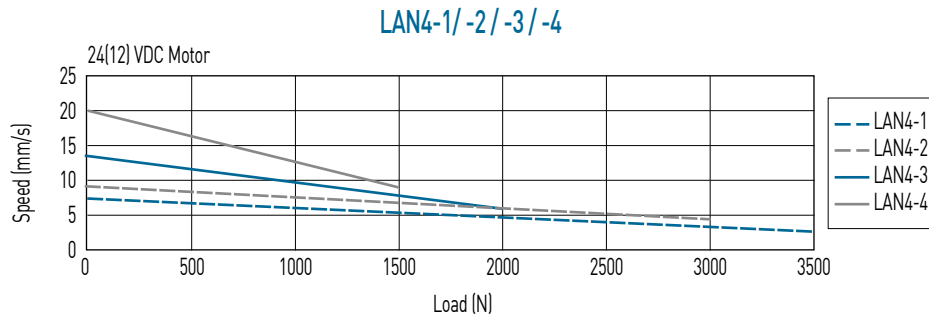
#### Option:

- (1) IP66
- (2) Safety Nut RL = S+174, S  $\leq 400$  / RL = S+224, S  $> 400$
- (3) Mono jack-plug (Standard is stereo)
- (4) Mechanical spline (push only) RL = S+200, S  $\leq 400$  / RL = S+250, S  $> 400$
- (5) Plug: DIN 4PIN plug / Stereo plug / Mono plug
- (6) UL Version

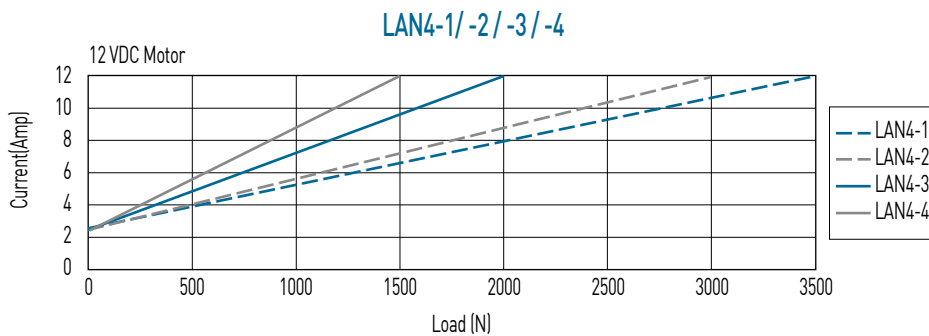
Table 18.2 LAN4 Specifications

Model	Thrust max. (N)	Pulling max. (N)	Holding max. (N)	Speed (mm/s) Load = Max. / Load = 0	Standard stroke (mm) : S								Duty cycle %	Current max. (A)	
					100	150	200	250	300	350	400	24VDC		12VDC	
LAN4-1	3500	3500	3500	3.5 / 7	100	150	200	250	300	350	400	10	6	12	
LAN4-2	3000	3000	3000	4.2 / 9	100	150	200	250	300	350	400	10	6	12	
LAN4-3	2000	2000	2000	6 / 13	100	150	200	250	300	350	400	10	5	12	
LAN4-4	1500	1500	1500	8.5 / 20	100	150	200	250	300	350	400	10	5	12	

\* Min. input power = Voltage x Current max.

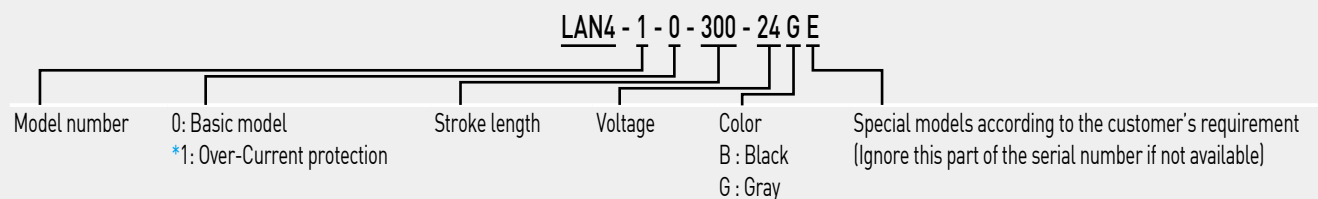


\*\*Note: The test results are obtained by using the 24VDC power supply.



\*\*Note: The test results are obtained by using the 12VDC power supply.

## Ordering Information



\* Remark: The over-current protection is for over load protection, do not use for limit stop.  
 Suggestion: To add external limit switch as limit positions stop.

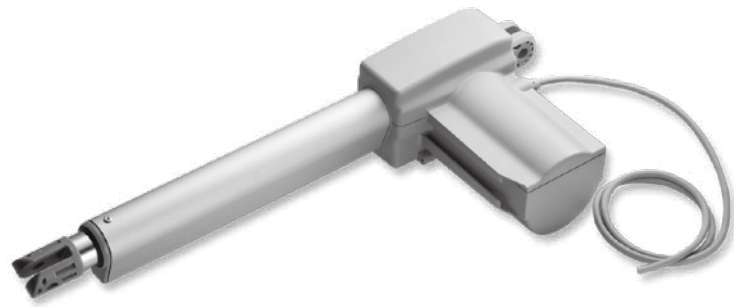


# Linear Actuator

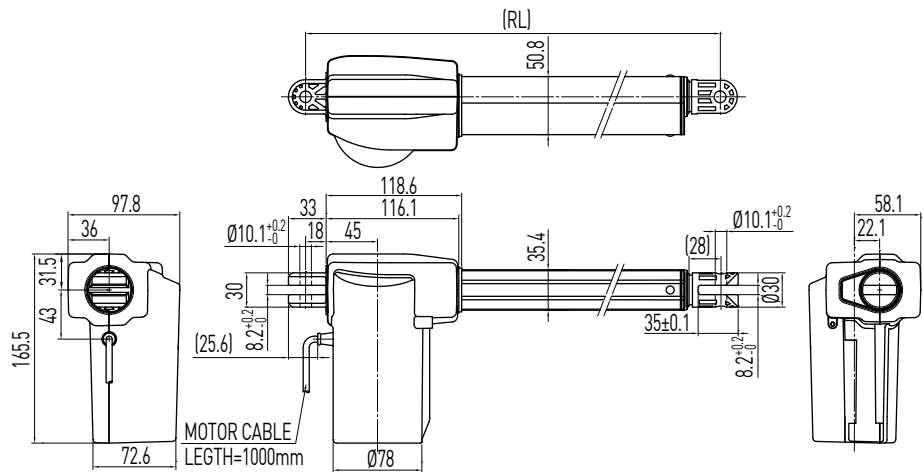
## LAN Series

### 19. HIWIN LAN Series (5)

#### LAN5



- RL = S+163
- Stroke ≤ 300
- RL = S+213
- Stroke > 300
- RL: Retracted length
- S: Stroke length



#### QUICK RELEASE

##### Quick release function:

- (1) The quick release cable can be pulled while the load on actuator under 100N.
- (2) When the quick release is activated, the actuator must have a load over 700N to ensure the actuator runs inwards.
- (3) After quick release activated, it may be necessary to run the actuator inwards.

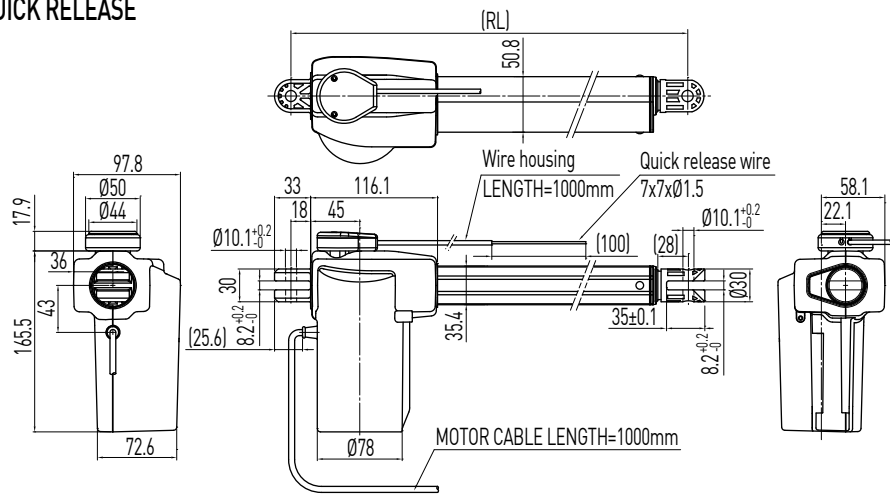


Table 191 Specifications

Screw type	ACME
Weight*	1.96kg
Protection	IP54
Compatible controller	Compatible with all kinds of controller (*Notice the type of connector: Audio/DIN 4PIN)
Working temp.	+5°C~40°C

\* Stroke length 200mm

#### Option:

- |                                   |  |   |
|-----------------------------------|--|---|
| (1) Hall Sensor                   | (4) Back fixture turned 0°, 45°, 90°, 135° | (7) Quick release (For LAN5-3, LAN5-4 only)       |
| (2) Safety nut                    | (5) IP65; IP66                             | (8) UL version                                    |
| (3) Mechanical Spline (push only) | (6) Back fixture and rodeye hole Ø12.1mm   | (9) Plug: DIN 4PIN plug / Stereo plug / Mono plug |

Table 19.2 Position feedback specifications (Hall Sensor)

Supply voltage	24VDC	12VDC	5VDC
Output	High level 24VDC Low level 0.2V / 10mA sink (NPN)	High level 12VDC Low level 0.2V / 10mA sink (NPN)	TTL

Table 19.3 LAN5 Specifications

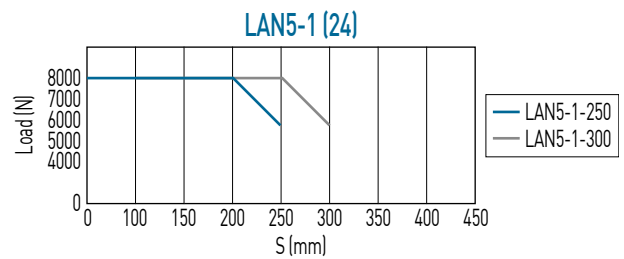
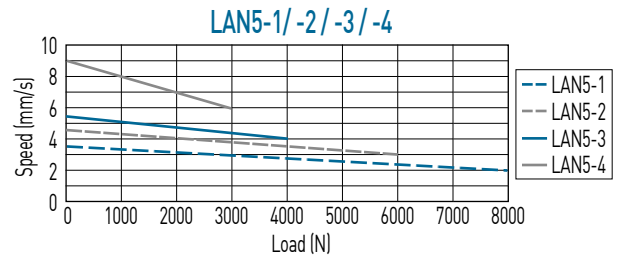
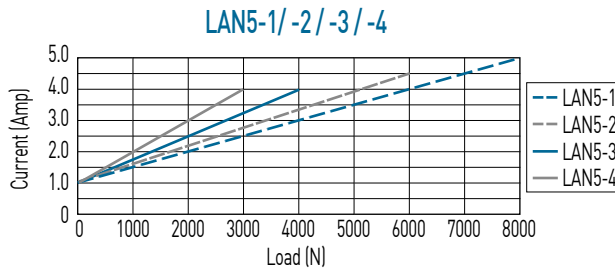
Model	Thrust max. (N)	Pulling max. (N)	Holding max. (N)	Speed (mm/s) Load = Max. / Load = 0	Standard stroke (mm) : S	Duty cycle %	Current max. (A) 24VDC	Hall Sensor Resolution (mm/pulse)
LAN5-1	8000	4000	6000	2 / 3.5	100 150 200 250 300	10	5	0.08
LAN5-2	6000	4000	5000	3 / 4.5	100 150 200 250 300	10	4.5	0.10
LAN5-3	4000	3000	4000	4 / 5.5	100 150 200 250 300	10	4	0.14
LAN5-4	3000	2000	1500	6 / 9	100 150 200 250 300	10	4	0.22

\* When the stroke of LAN5-1 is between 250mm and 300mm, refer to the diagram on the right for max. load.

\* LAN5-3 24V Quick release Holding max. 3000N

\* LAN5-4 24V Quick release Holding max. 1000N

\* Min. input power = Voltage x Current max.



\*\*Note: The test results are obtained by using the 24VDC power supply.

Table 19.4 LAN5(24Q) Specifications

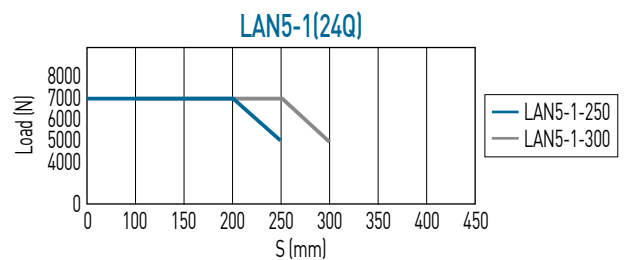
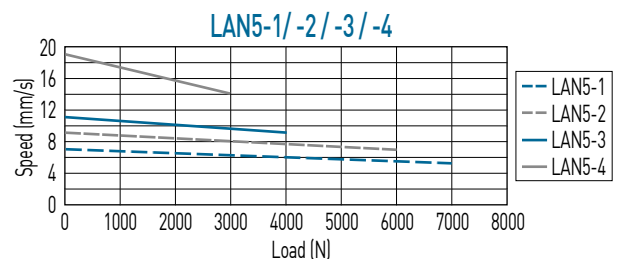
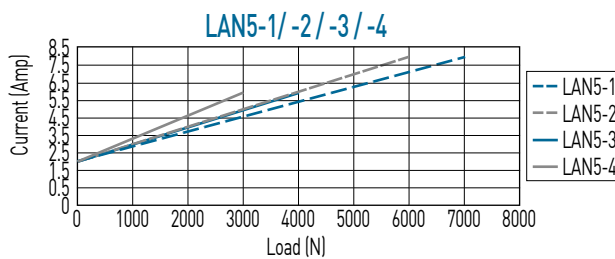
Model	Thrust max. (N)	Pulling max. (N)	Holding max. (N)	Speed (mm/s) Load = Max. / Load = 0	Standard stroke (mm) : S	Duty cycle %	Current max. (A) 24VDC	Hall Sensor Resolution (mm/pulse)
LAN5-1	7000	4000	6000	5 / 7	100 150 200 250 300	10	8	0.08
LAN5-2	6000	4000	5000	7 / 9	100 150 200 250 300	10	8	0.10
LAN5-3	4000	3000	4000	9 / 11	100 150 200 250 300	10	6	0.14
LAN5-4	3000	2000	1500	14 / 19	100 150 200 250 300	10	6	0.22

\* When the stroke of LAN5-1 is between 250mm and 300mm, refer to the diagram on the right for max. load.

\* LAN5-3 24Q Quick release Holding max. 3000N

\* LAN5-4 24Q Quick release Holding max. 1000N

\* Min. input power = Voltage x Current max.



## Ordering Information

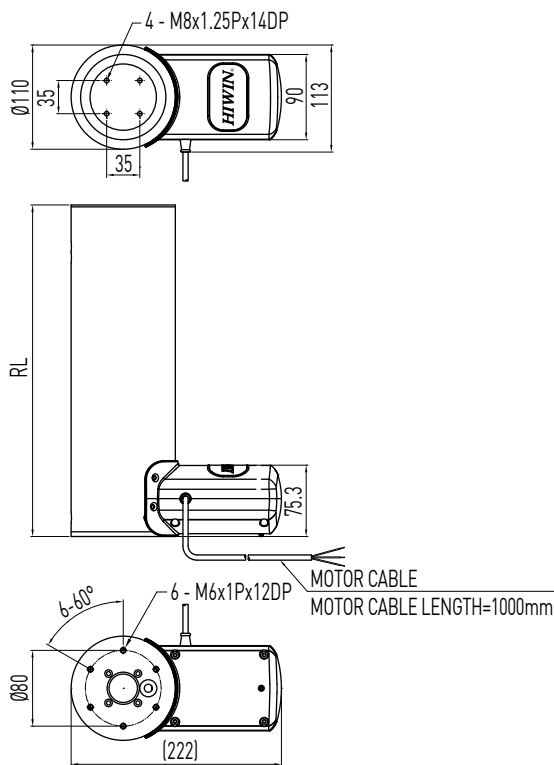
Model number	Force direction	1: Basic model complete with internal limit switches	Stroke length	Voltage	Color	Special models according to the customer's requirement (Ignore this part of the serial number if not available)
LAN5 - 1 1 - 1 - 200 - 24 G E	1: Standard 2: Suspending install, pull			24: Standard motor 24Q: Fast motor	B : Black G : Gray	

# Linear Actuator

## LAC Series

### 20. HIWIN LAC Series (1)

#### LAC1



- RL:  
Stroke ≤ 300, RL=310  
Stroke 301-400, RL=360  
Stroke 401-500, RL=410  
RL=Retracted length

Table 20.1 Specifications

Screw type	ACME
Weight*	5.6kg
Protection	IP54
Compatible controller	Compatible with all controllers (*Notice the type of connector: Audio/DIN 4pin)
Working temp.	+5°C~40°C

\* Stroke length 400mm

Table 20.2 Position feedback specifications (Hall Sensor)

Supply voltage	24VDC	5VDC
Output	High level 24VDC Low level 0.2V / 10mA sink (NPN)	TTL

#### Option:

- (1) Hall sensor
- (2) Potentiometer
- (3) Plug : DIN 4PIN plug / Stereo plug / Mono plug

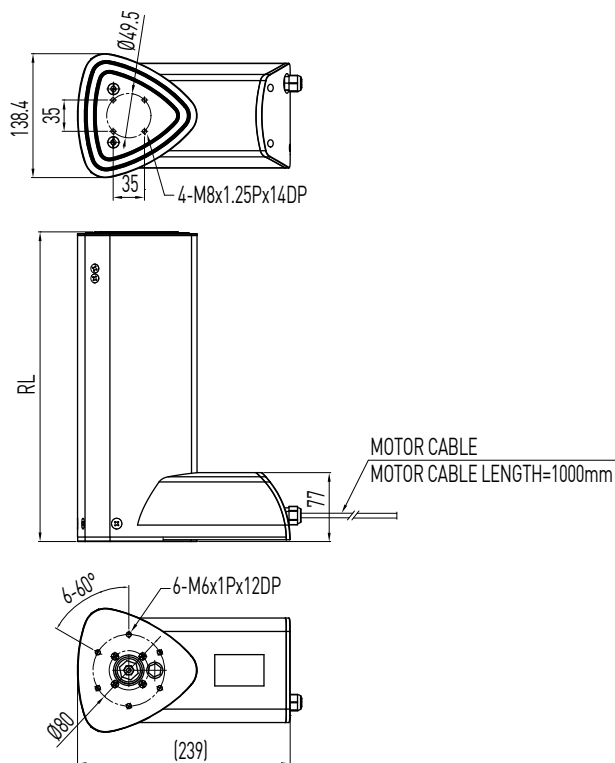


# Linear Actuator

## LAC Series

### 21. HIWIN LAC Series (2)

#### LAC3



- $RL = 171 + S/2$   
 RL: Retracted length  
 S: Stroke length

Table 21.1 Specifications

Screw type	ACME
Weight*	8.1kg
Protection	IP54
Compatible controller	Compatible with all controllers (*Notice the type of connector: Audio/DIN 4pin)
Working temp.	+5°C~40°C

\* Stroke length 400mm

Table 21.2 Position feedback specifications (Hall Sensor)

Supply voltage	24VDC	5VDC
Output	High level 24VDC	TTL
	Low level 0.2V / 10mA sink (NPN)	

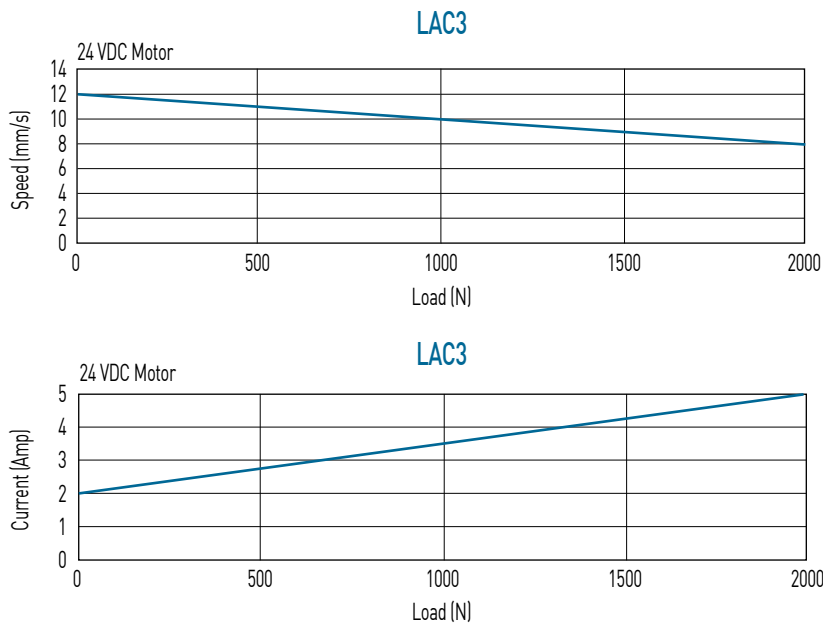
#### Option:

- (1) Position Feedback; Potentiometer; Hall sensor
- (2) Plug: DIN 4PIN plug / Stereo plug / Mono plug

Table 21.2 LAC3 Specifications

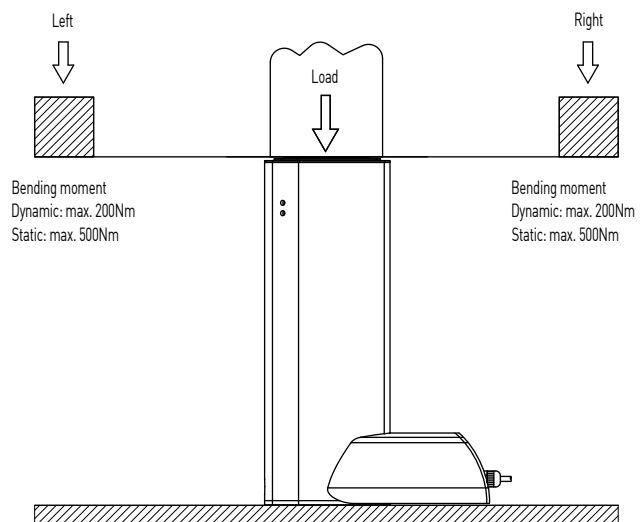
Model	Thrust max. (N)	Pulling max. (N)	Holding max. (N)	Speed (mm / s) Load = Max. / Load = 0	Standard stroke (mm) : S			Duty cycle %	Current max. (A) 24VDC	Potentiometer Resolution (ohm/mm)	Hall Sensor Resolution (mm/pulse)
LAC3-1	2000	500	2000	8 / 12	300	400	500	10	5	6.67	1.0

\* Min. input power = Voltage x Current max.

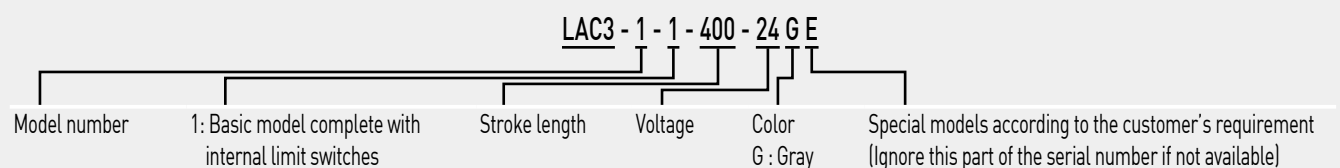


\*\*Note: The test results are obtained by using the 24VDC power supply.

### LAC3 Bending moment illustration (Stroke: 400mm)



### Ordering Information



# Linear Actuator

## 1-Axis Controller

### 22. HIWIN 1-Axis Controller

LAK2LR

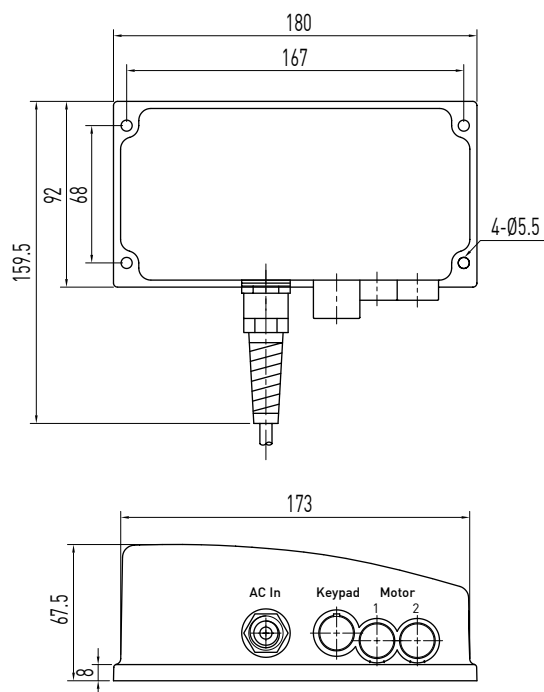


Table 22.1 Specifications

Input voltage	AC 100 / 110 / 220 / 230V(50/60Hz)
Output power	108VA (24VDC) max.
Duty cycle	10%
Protection	IP54
Working temp.	+5°C~40°C

### Option:

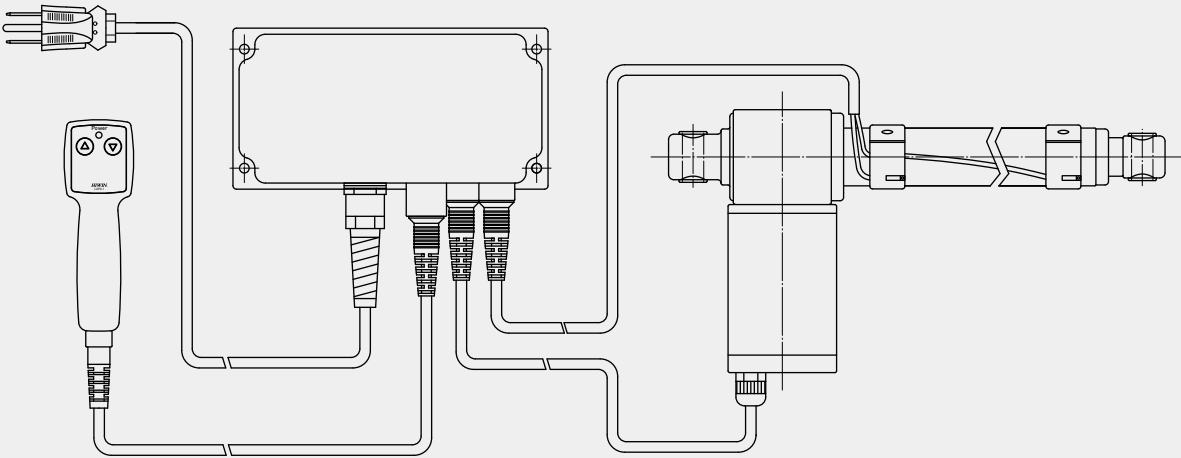
IP66

### Features of the LAK2LR

- Controls 1 linear Actuator
- Controls 1 Actuator with external limit switches
- OLP (Over Load Protection)

- Standard cable length: 4M
- Electronic protection for the relays

For Series LAM1 completed with external limit switches



Ordering Information

LAK2LR - G - 110 - B E			
Actuator No. 1	Input Voltage	Color	Special models according to Client's requirement
G: Over current setting value	100: AC100V; 110: AC110V 220: AC220V; 230: AC230V	B: Black G: Gray	None E = Special requirement

\* Check attached table for over current setting...see page 55.  
 \* The keypad of the LAK2LR is not the same as LAK2L.



# Linear Actuator

## 2-Axis Controller

### 23. HIWIN 2-Axis Controller (1)

#### LAK2

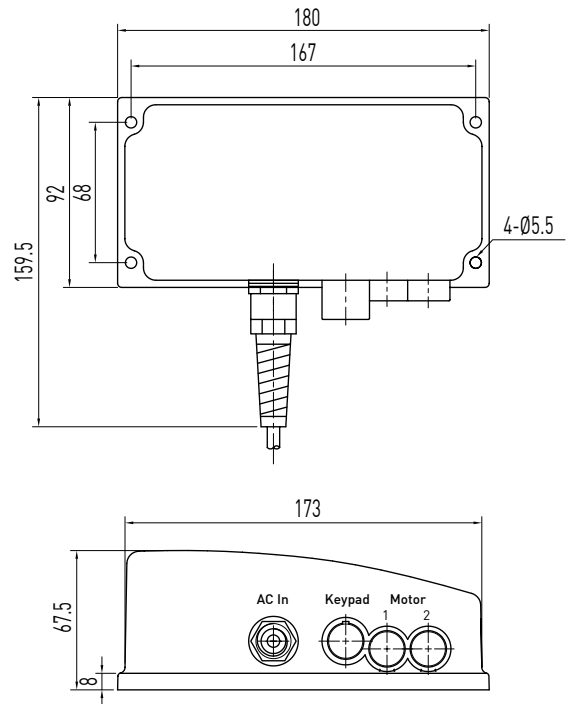


Table 23.1 Specifications

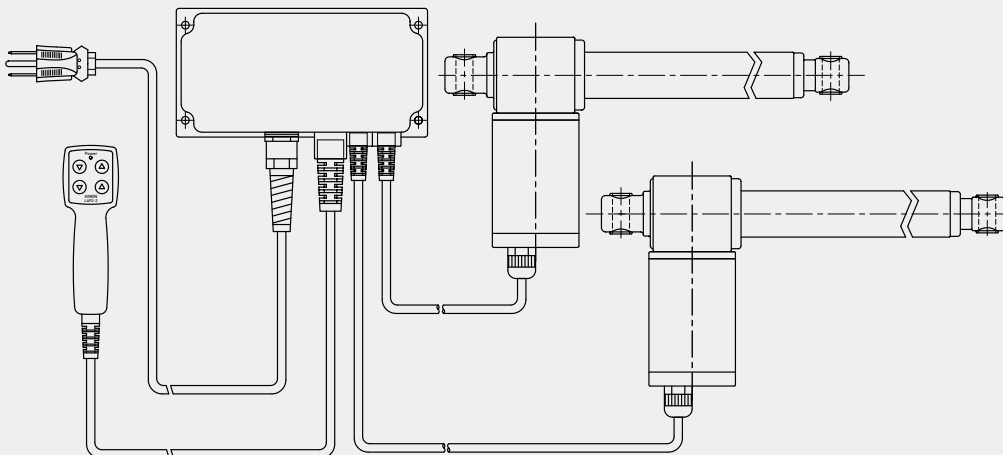
Input voltage	AC 100 / 110 / 220 / 230V (50/60Hz)
Output power	108VA (24VDC) max.
Duty cycle	10%
Protection	IP54
Working temp.	+5°C~40°C

#### Option:

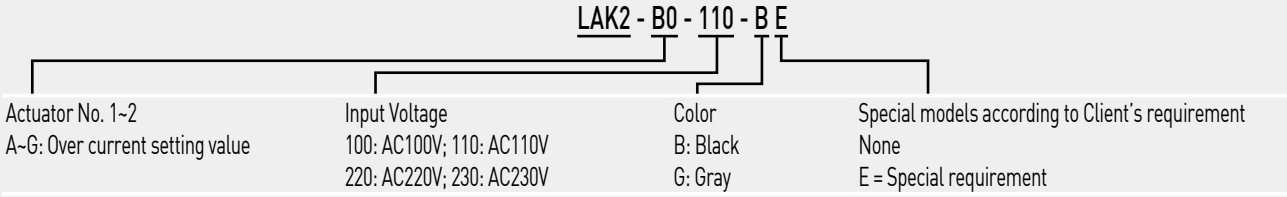
- (1) IP66
- (2) DC 12V In & Out
- (3) DC 24V In & Out
- (4) UL version only for AC 120V input (Max. Output 24V/6A)

#### Features of the LAK2

- Control 1 or 2 Linear Actuators
- Over load protection
- Standard cable length: AC:4M/DC:1M
- Electronic protection of the relays

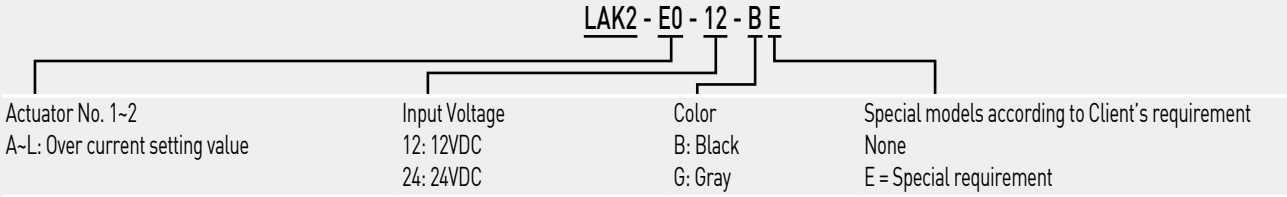


### Ordering Information (AC Power)



\* Check attached table for over current setting...see page 55.

### Ordering Information (DC Power)



\* Standard cable: 1M in length with 3 flying lead termination.

\* Check attached table for over current setting...see page 55.

# Linear Actuator

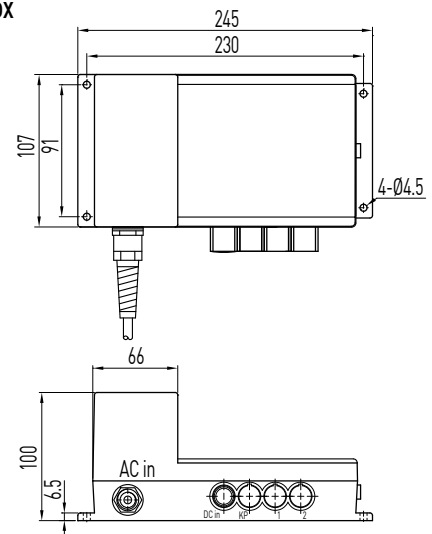
## 2-Axis Controller

### 24. HIWIN 2-Axis Controller (2)

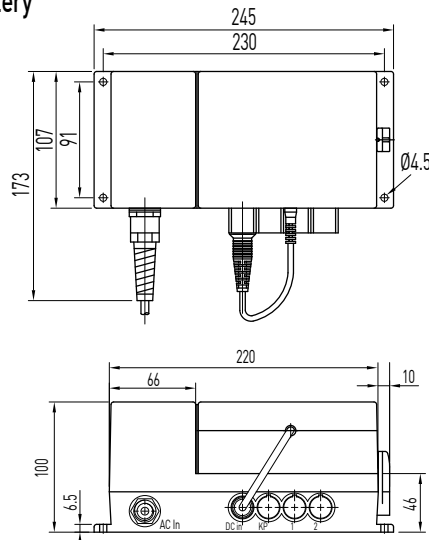
LAK2BN



0 No Battery box



1 For 1.3Ah Battery



2 For 2.9Ah Battery

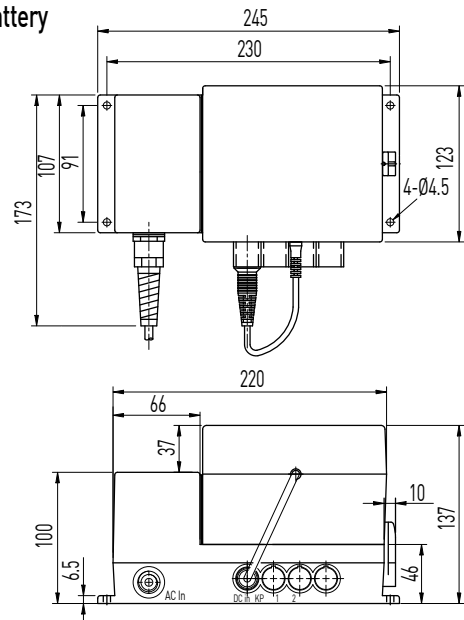


Table 24.1 Specifications

Input voltage	AC 100 / 110 / 220 / 230V(50/60Hz)
Output power	144VA (24VDC) max.
Duty cycle	10%
Protection	IP54
Working temp.	+5°C~40°C

#### Option:

- (1) IP66
- (2) Custom program
- (3) Two axes move simultaneously
- (4) Two axes move synchronously (Actuators must have feedback)

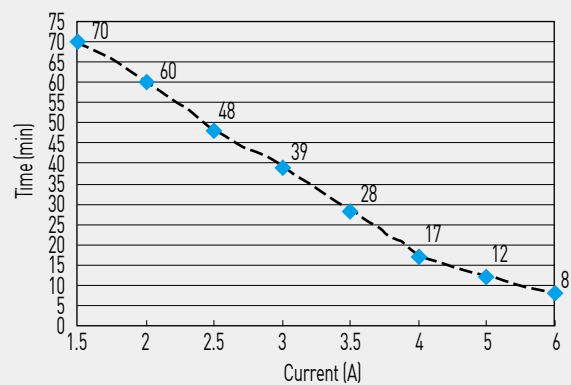
#### Features of the LAK2BN

- Control 1 or 2 Linear Actuators
- Compact size
- Over load protection
- Soft - start / stop
- Standard cable length: 4M
- Rechargeable Battery

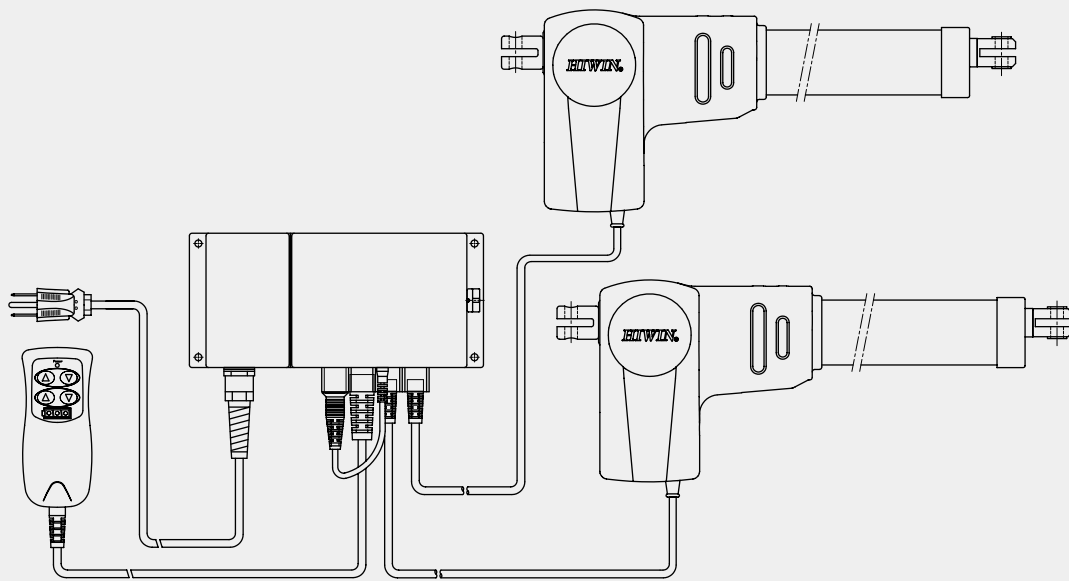
- Low battery indicator (alarm)
- Battery capacity: 1.3Ah (12VDCx2)
- (Option: 2.9Ah, 12VDCx2)

\*Note: Please charge battery for at least 8 hours before initial use.

#### Current vs. Durable Period under Load (1.3Ah)



Note: 1.The test results are obtained under duty cycle 10% (2 minutes of continuous operation followed by 18 minutes of non-operation).  
2.The Test results are for reference only, actual value will be different due to the battery performance.



## Ordering Information

LAK2BN - 1 - D0 - 110 - B E				
Battery	Actuator No. 1~2	Input Voltage	Color	Special models according to Client's requirement
0: None Battery box	0: None	100: AC100V; 110: AC110V	B: Black	None
1: 1.3Ah	A-H: Over current setting value	220: AC220V; 230: AC230V	G: Gray	E = Special requirement
2: 2.9Ah				

\* Check attached table for over current setting...see page 55.

# Linear Actuator

## 2-Axis Controller

### 25. HIWIN 2-Axis Controller (3)

#### LAK2D

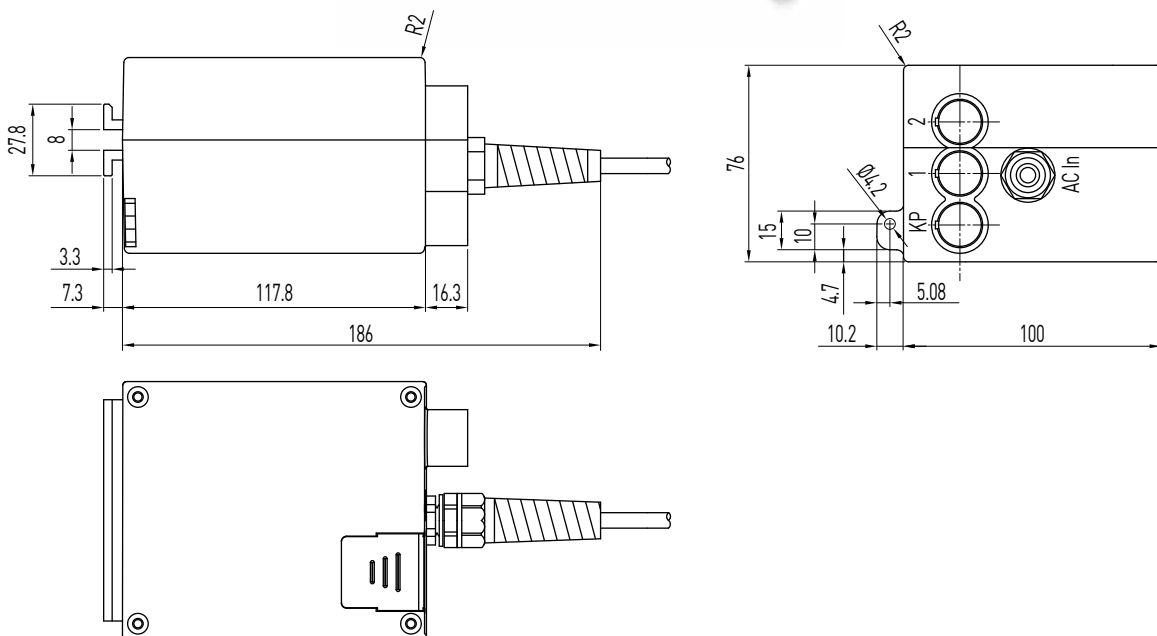


Table 25.1 Specifications

Input voltage	AC 100 / 110 / 220 / 230V (50 / 60Hz)
Output power	108VA (24VDC) max.
Duty cycle	10%
Protection	IP54
Working temp.	+5°C~40°C

#### Option:

(1) IP66

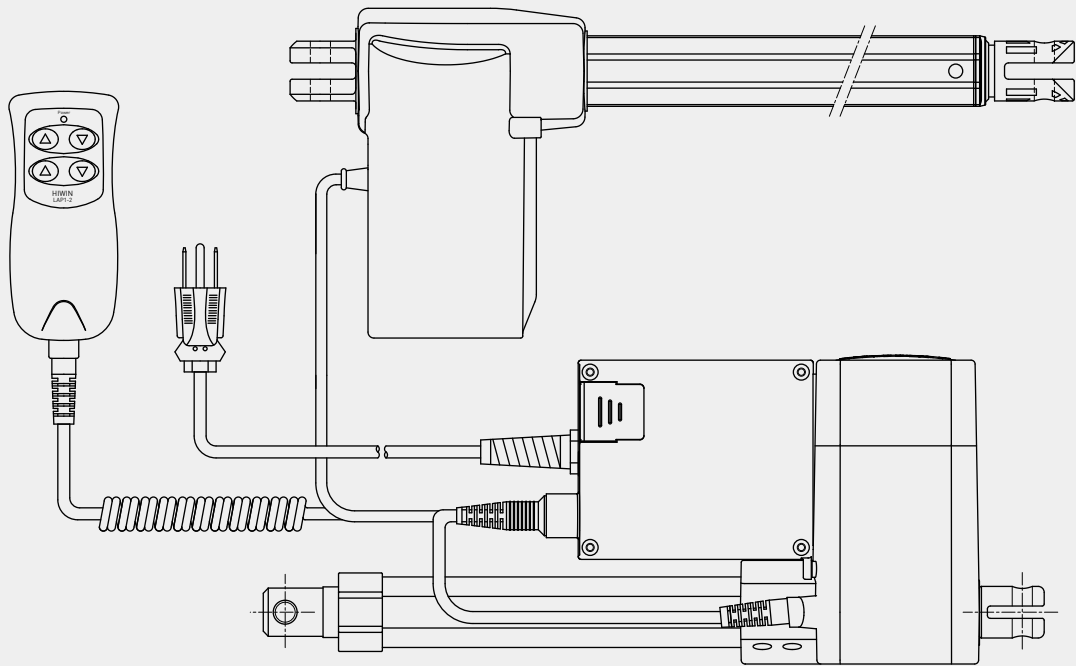
#### Features of the LAK2D

- Control 1 or 2 Linear Actuators
- Standard cable length: 4M
- Over load protection
- During an emergency power loss, please insert 2-9V alkaline batteries to lower the actuators. [Protection class is IP54 when LAK2D is operated with batteries]

- Can be mounted directly on the LAM3 or LAN5

\* There is no battery charge function, the 9V batteries are used for emergencies only.

## LAK2D can be mounted with LAM3 or LAN5



## Ordering Information

LAK2D - 1 - D0 - 110 - G E				
Battery	Actuator No. 1~2	Input Voltage	Color	Special models according to Client's requirement
0: None	0: None	100: AC100V; 110: AC110V	B: Black	None
1: 9-volt alkaine battery	A~F: Over current setting value	220: AC220V; 230: AC230V	G: Gray	E = Special requirement

\* Check attached table for over current setting...see page 55.

\* LAK2D over current must be set to the same value.

# Linear Actuator

## 2-Axis Controller

### 26. HIWIN 2-Axis Controller

LAK2J

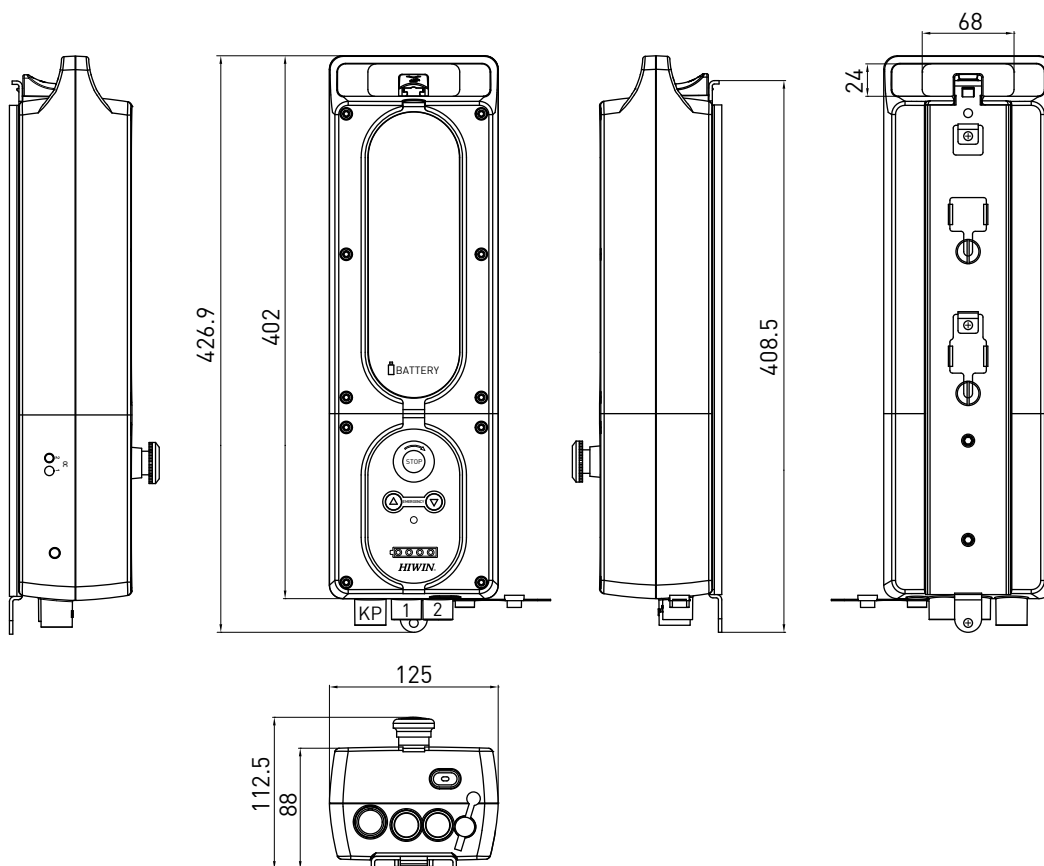


Table 26.1 Specifications

Output voltage	DC 24V
Duty cycle	10%
Protection	IP54
Working temp.	+5°C~40°C

#### Option:

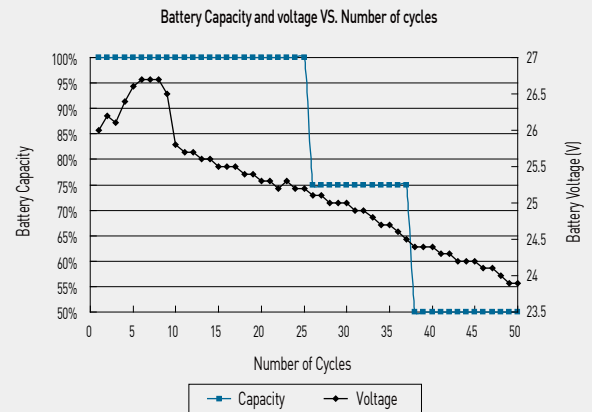
- (1) IP65
- (2) Custom program
- (3) UL Version

## Features of the LAK2J

- Portable design (operated by battery)
- Control 1 to 2 Linear Actuators
- Emergency stop button
- Emergency operation through front panel (only for axis 1)
- Over load protection
- Soft - start / stop
- Battery rechargeable via LAKCH charger
- Automatic alarm when the battery is low
- Automatic Energy Saving Mode
- Battery capacity 4.5Ah (12VDC\*2)
- LED for power indication

\*Note: Please charge the battery for at least 12 hours before the initial use

## Battery Characteristics

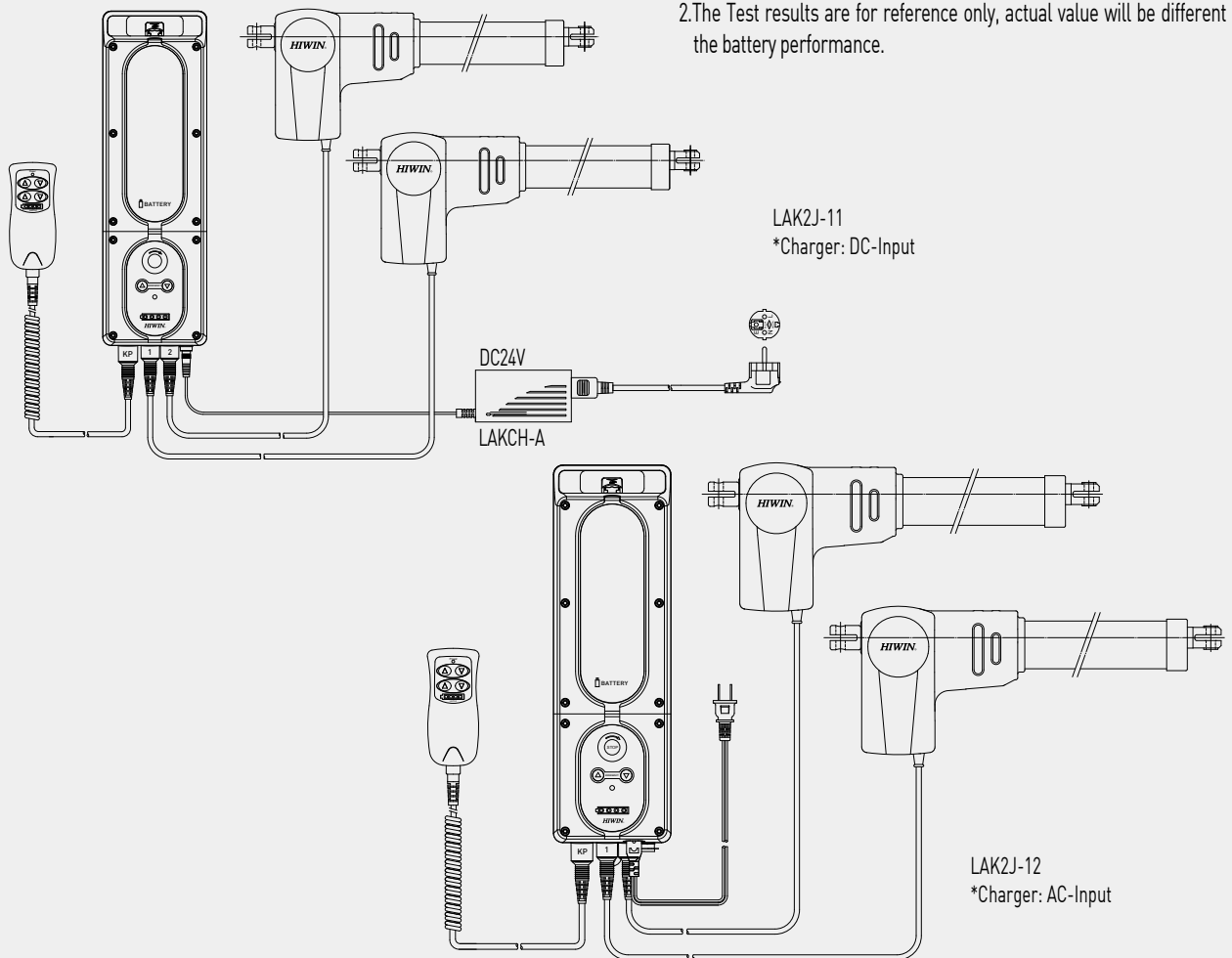


\*Test results are obtained under 5A load current

Note: 1.The test results are obtained under duty cycle 10%

(2 minutes of continuous operation followed by 18 minutes of non-operation).

2.The Test results are for reference only, actual value will be different due to the battery performance.



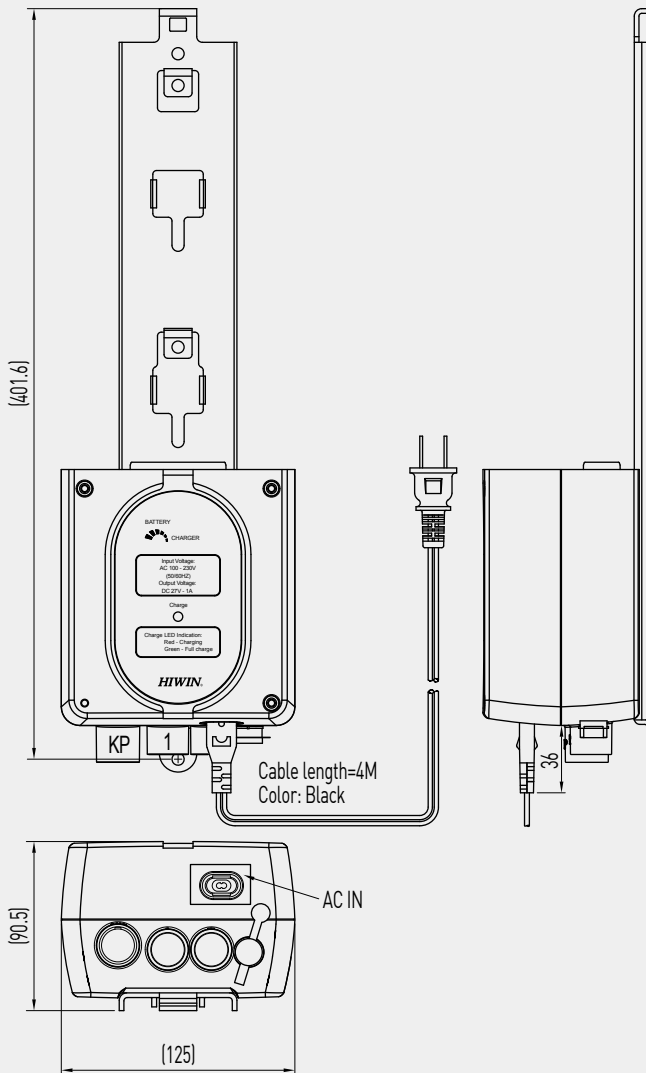
## Ordering Information

LAK2J - 1 1 - HH - 01 - 24 - W E						
Battery	Charger	Actuator No.1~2	Software function	Output power	Color	Special models according to Client's requirement
1: 4.5Ah	1: DC in charger by LAKCH-A 2: AC in charger (100~230VAC, 50~60HZ)	0: None A~H: Over current setting value	01: Standard	DC: 24V	W: White G: Gray	None E = Special requirement

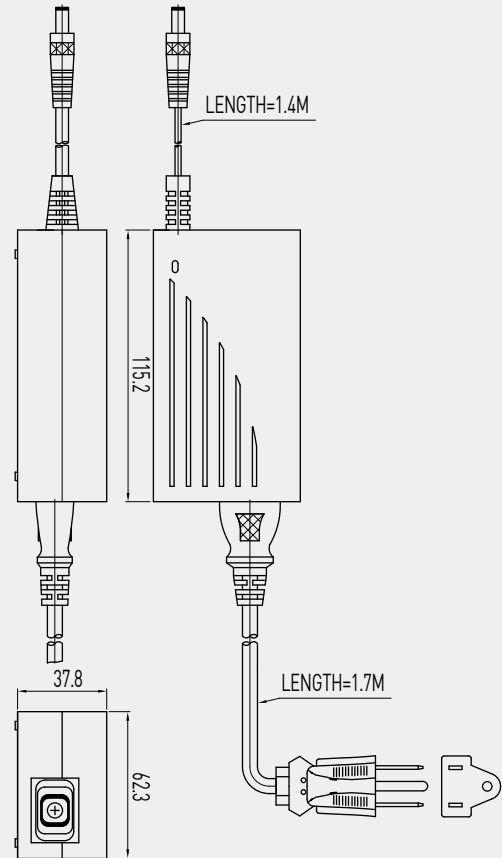


## Charger/Battery

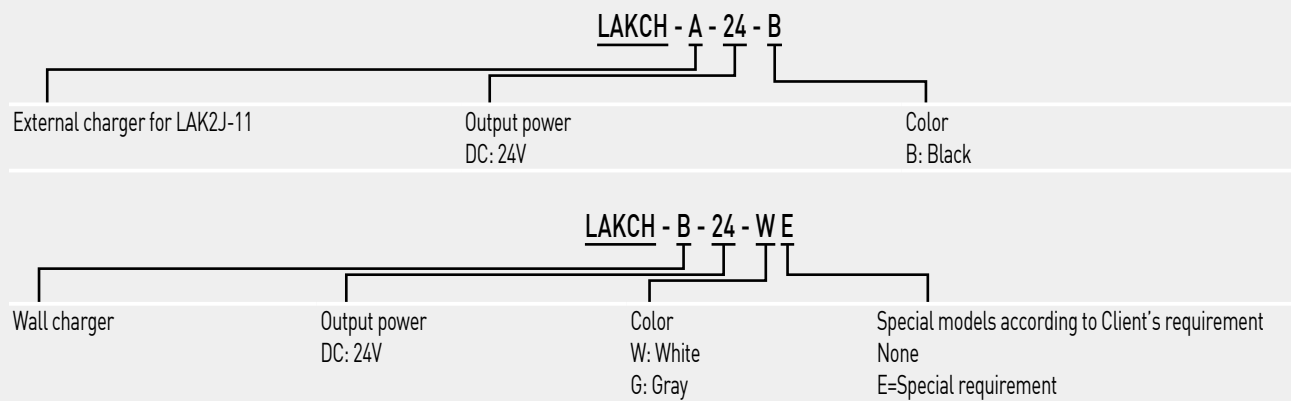
Charger : LAKCH-B



Charger : LAKCH-A



## Ordering Information



# Linear Actuator

## 3-Axis Controller

### 27. HIWIN 3-Axis Controller

#### LAK4

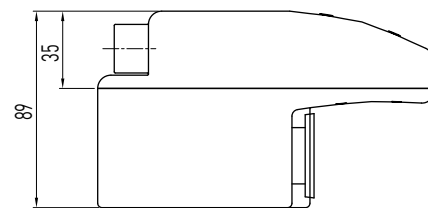
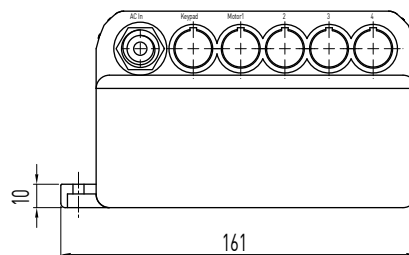
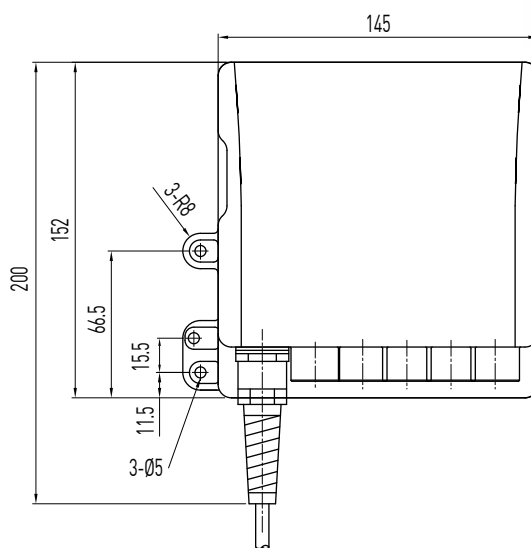


Table 27.1 Specifications

Input voltage	AC 100 / 110 / 120 / 220 / 230V (50 / 60Hz)
Output power	72.5VA (24VDC) max.
Duty cycle	10%
Protection	IP54
Working temp.	+5°C~40°C

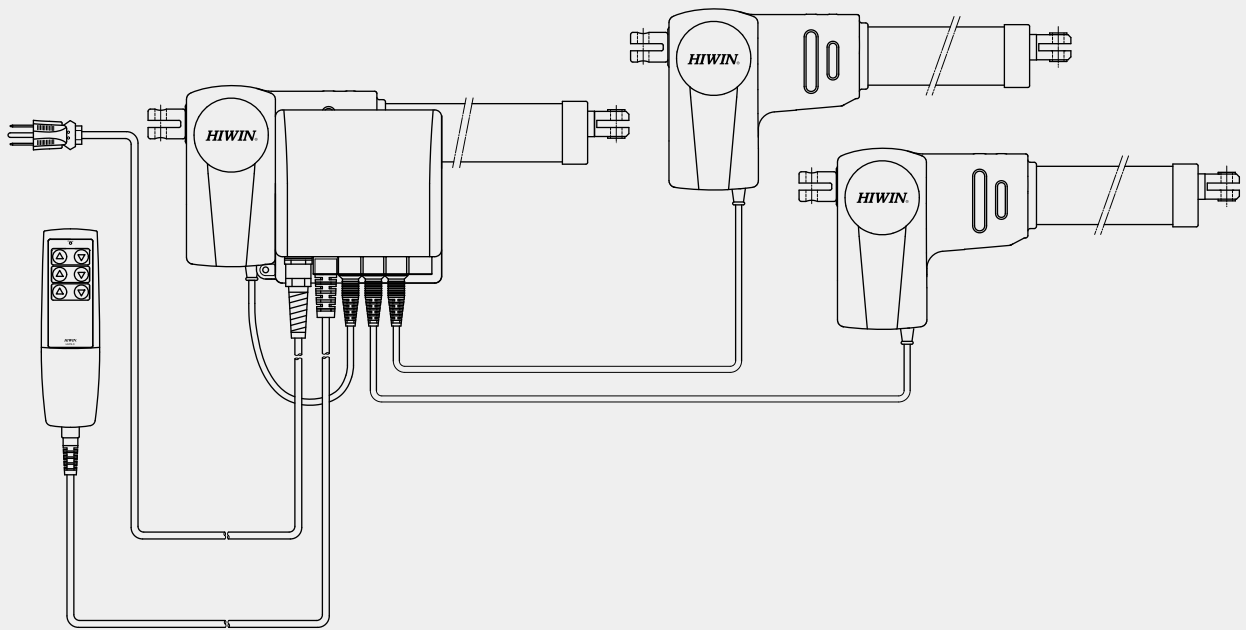
#### Option:

- (1) IP66
- (2) UL version only for LAK4-F000-110-B

#### Features of LAK4

- Control 1 to 3 Actuators
- Can be mounted directly on the LAN1
- Standard cable length: 4M
- \*Note: LAK4 without over current protection

## LAK4 can be mounted with LAN1



## Ordering Information

**LAK4 - D000 - 110 - B E**

Actuator No.1~3

0: None

A-F: Only indicate the actuator maximum current,  
not indicate over current setting value.

Input Voltage

100: AC100V; 110: AC110V

220: AC220V; 230: AC230V

Color

B: Black

G: Gray

Special models according to Client's requirement

None

E = Special requirement

# Linear Actuator

## 4-Axis Controller

### 28. HIWIN 4-Axis Controller

#### LAK4D

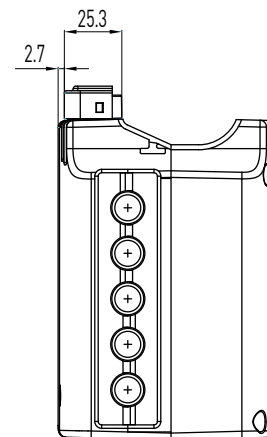
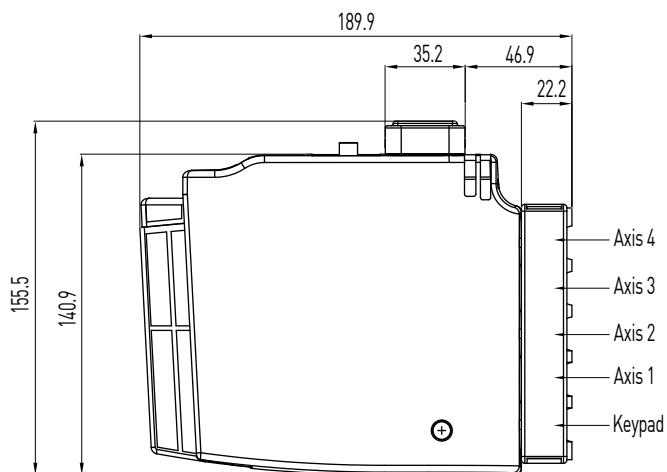
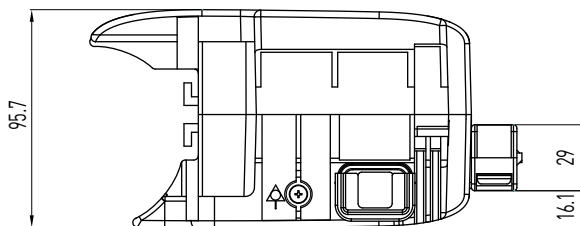


Table 28.1 Specifications

Input voltage	AC 100 / 110 / 120 / 220 / 230V (50/60Hz)
Output power	72.5VA (24VDC) max.
Duty cycle	10%
Protection	IP54
Working temp.	+5°C~40°C

#### Option:

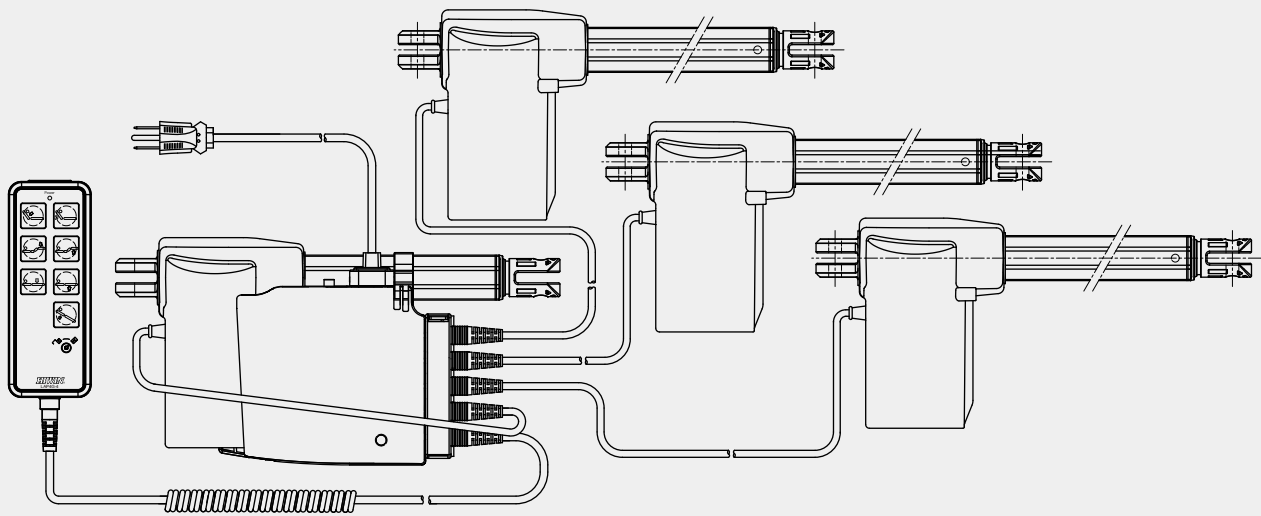
- (1) IP66
- (2) Output power: 144VA, 216VA
- (3) UL Version

#### Features of LAK4D

- Control 1 to 4 Linear Actuator
- Standard cable length: 4M
- Detachable cable retainer (protection against accidental unplugging)
- Removable AC power cable.

- LED power display.
- Can be mounted directly on the LAN5.  
(LAN5 min. RL must be greater than 300mm)
- \* Notes: LAK4D without over current protection.

## LAK4D can be mounted with LAN5



## Ordering Information

**LAK4D - D000 - 110 - G E**

Actuator No.1~4

0: None

A-H: Only indicate the actuator maximum current,  
not indicate over current setting value.

Input Voltage

100: AC100V; 110: AC110V

220: AC220V; 230: AC230V

120: AC 120V

Color

B: Black

G: Gray

Special models according to Client's requirement

None

E = Special requirement

# Linear Actuator

## 6-Axis Controller

### 29. HIWIN 6-Axis Controller

LAK6B

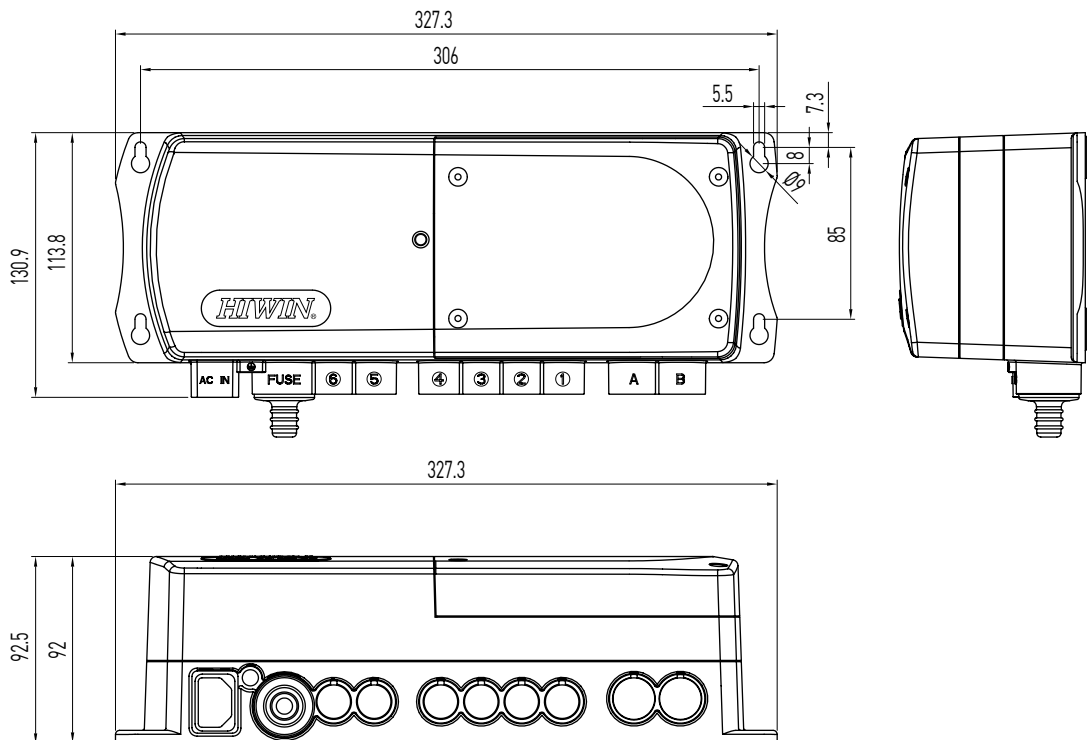


Table 29.1 Specifications

Input voltage	AC 100 / 110 / 220 / 230V (50/60Hz)
Output power	216VA (24VDC) max.
Duty cycle	10%
Protection	IP54
Working temp.	+5°C~40°C

#### Option:

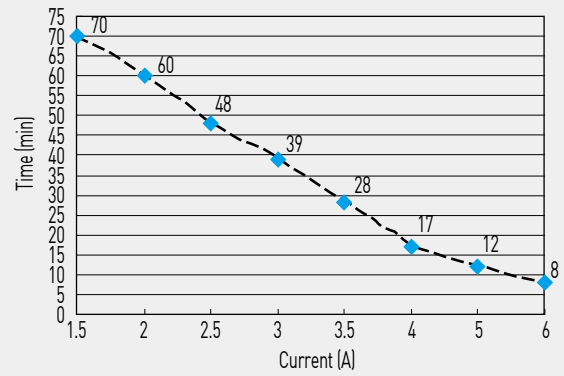
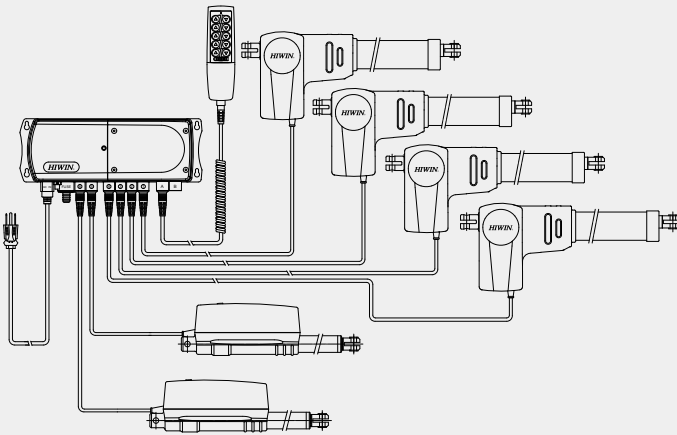
- (1) IP66
- (2) Custom program

## Features of LAK6B

- Control 1 to 6 Linear Actuators
- Over load protection
- Soft-start
- Standard cable length: 4M
- Rechargeable battery
- Low battery indicator (alarm)
- Automatic energy saving
- Battery capacity 1.3Ah (12VDCx2)
- Main fuse replaceable by external plug
- Spare fuse inside the fuse plug
- External ground connection
- LED power indication

\* Note: Simultaneous movement is not available for LAN3-1/-2/-3[24Q]

\* Note: Please charge battery for at least 8 hours before initial use.



Note: 1. The test results are obtained under duty cycle 10% (2 minutes of continuous operation followed by 18 minutes of non-operation).  
 2. The Test results are for reference only, actual value will be different due to the battery performance.

## Ordering Information

LAK6B - 1 - D 00000 - 00 - 110 - G E

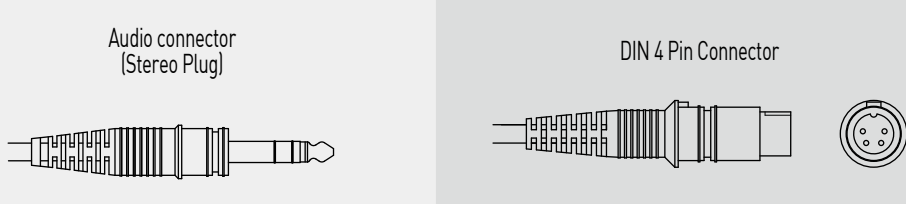
Battery	Actuator No.1~6	Type	Input Voltage	Color	Special models according to Client's requirement
0: No	0: None	00: Standard	100: AC100V; 110: AC110V	B: Black	None
1: 1.3Ah	A~J: Over current setting value	01: Custom software	220: AC220V; 230: AC230V	G: Gray	E = Special requirement

\* Check attached table for over current setting...see page 55.

## Over Current Setting Table

Code No.	Current setting	Actuator Model	Controller Model
A	2.5A	LAS4-1; LAS5-1/-2	LAK2; LAK2D; LAK2LR; LAK2BN; LAK2J; LAK4; LAK4D; LAK6B
B	3.0A	LAS1-1; LAS3-1; LAI2-1; LAS5A-1/-2	LAK2; LAK2D; LAK2LR; LAK2BN; LAK2J; LAK4; LAK4D; LAK6B
C	4.0A	LAS1-2; LAS3-2; LAS4-2; LAM2-3/-4; LAS2-1/-2; LAI2-1	LAK2; LAK2LR; LAK2D; LAK2BN; LAK4; LAK6B
D	5.0A	LAM3-3/-4; LAN1-1/-2; LAN5-2/-3/-4; LAM2-1/-2; LAI2-2; LAI1-1(24V)	LAK2; LAK2D; LAK2LR; LAK2BN; LAK2J; LAK4; LAK4D; LAK6B
E(24V)	6.0A	LAM3-2; LAN4; LAC3-1; LAN4-3/-4; LAN5-1; LAI1-1A(24V); LAC1	LAK2D; LAK2BN; LAK2J; LAK4; LAK4D; LAK6B
E(12V)	6.0A	LAS1-1(12V); LAS3-1(12V); LAS4-1(12V); LAM2-3/-4; LAS2-1/-2	LAK2(DC)
F(24V)	7.0A	LAN1-1/-2/-3/-4(24Q); LAM3-1; LAN4-1/-2; LAN5-3/-4(24Q)	LAK2; LAK2D; LAK2LR; LAK2BN; LAK2J; LAK4; LAK4D; LAK6B
F(12V)	7.0A	LAS1-2(12V); LAS3-2(12V); LAS4-2(12V); LAM2-3/-4	LAK2(DC)
G(24V)	8.0A	LAM1-1/-2/-1A; LAN5-1/-2(24Q)	LAK2; LAK2LR; LAK6B; LAK2J
G(12V)	8.0A	LAI1-1(12V); LAM1-1/-2	LAK2(DC)
H(24V)	9.0A	LAN3-1/-2/-3(24V); LAN3A-1/-2/-3/-4(24V)	LAK6B; LAK2J
H(12V)	9.0A	LAI1-1A(12V); LAM2-1/-2	LAK2(DC)
I	10A	For reservation	
J	12A	LAN3-1/-2/-3(24Q); LAN3A-1/-2/-3/-4(24Q)	LAK6B; LAK2J
K	14A	For reservation	
L	15A	LAN1-1/-2/-3(12V); LAM1-1/-2/-1A(12V), -2A(12V); LAM3(12V); LAN4(12V)	LAK2(DC)
Z	**A	Special current value (special requirement)	

## LA Cable Connector Vs. Controller Model

Actuator Model	Normal connector	Controller Model	
		LAK2 / LAK2J / LAK2LR	LAK2BN / LAK2D / LAK4 / LAK4D / LAK6B
LAM1	bare wire	 <p>Audio connector (Stereo Plug)</p> <p>DIN 4 Pin Connector</p>	
LAM2	bare wire		
LAM3	bare wire		
LAI1	bare wire		
LAI2	bare wire		
LAS1	bare wire		
LAS2	bare wire		
LAS3	bare wire		
LAS4	bare wire		
LAS5	bare wire		
LAN1	bare wire		
LAN3	bare wire		
LAN3A	bare wire		
LAN4	bare wire		
LAN5	bare wire		
LAC1	bare wire		
LAC3	bare wire		

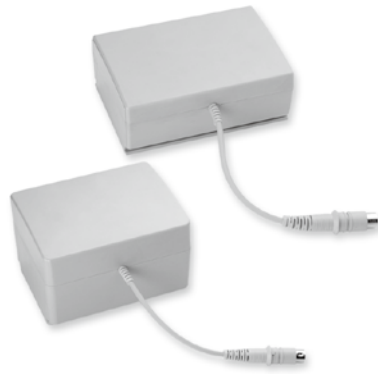


# Linear Actuator

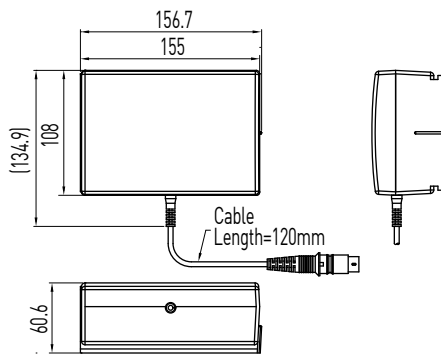
## Battery

### 30. HIWIN Battery

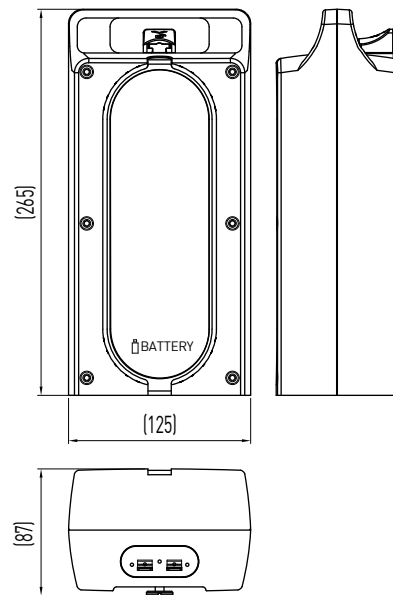
#### LAKB



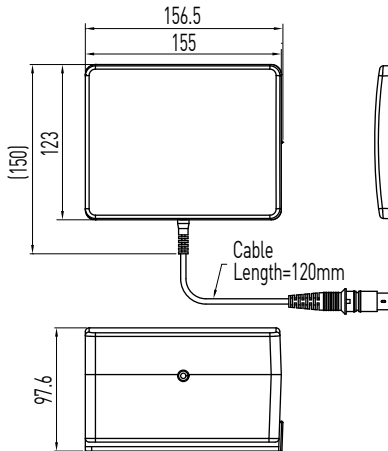
Battery: LAKB-1



Battery: LAKB-3



Battery: LAKB-2



## Ordering Information

### LAKB - 1 - G E

Battery 1: 1.3Ah 2: 2.9Ah	Color B: Black G: Gray	Special models according to Client's requirement None E = Special requirement
---------------------------------	------------------------------	---

### LAKB - 3 - G E

Battery for LAK2J 3: 4.5Ah	Color W: White G: Gray	Special models according to Client's requirement None E = Special requirement
-------------------------------	------------------------------	---

# Linear Actuator

## Over Current Protection Box

### 31. HIWIN Over Current Protection Box

#### LAKC1-1

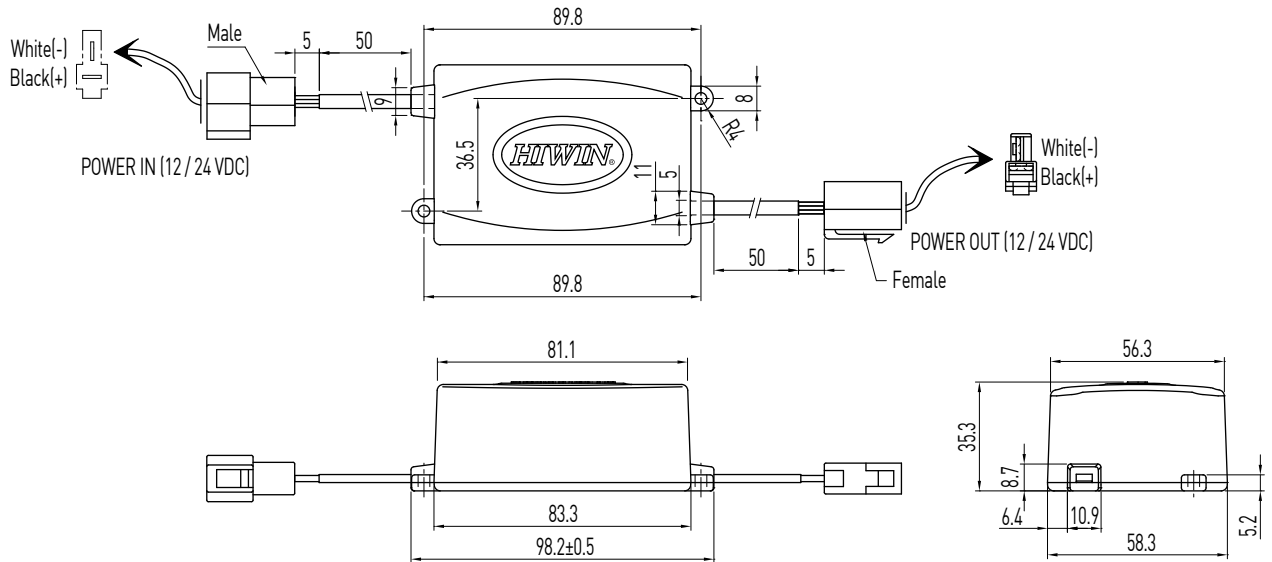


Table 31.1 Specifications

Input voltage	12/24VDC
Output power	12/24VDC
Duty cycle	10%
Protection	IP54
Working temp.	+5°C~40°C

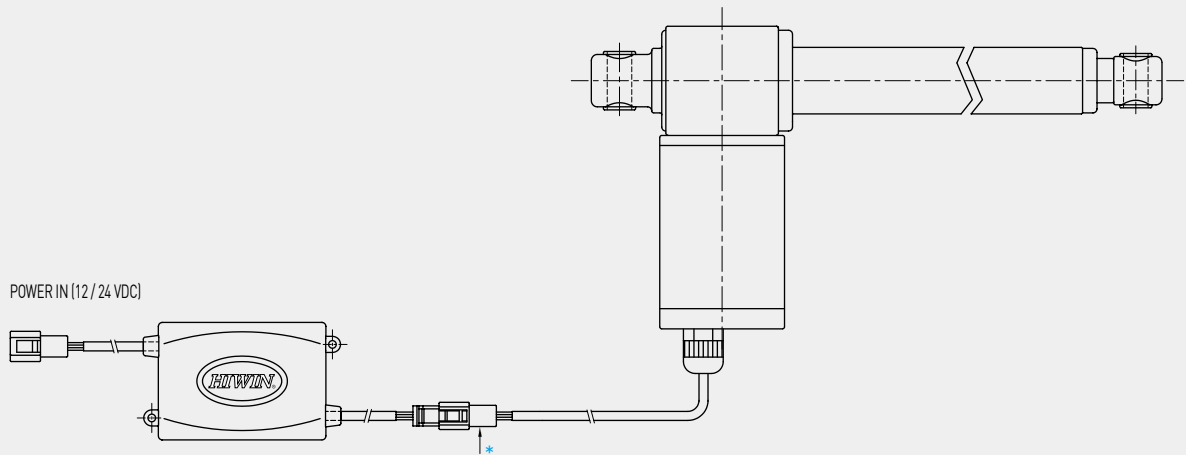
#### Option:

(1) IP66

#### Features of LAKC1-1

- Compact size
- Low cost
- Easy to use
- Multiple over- current settings available
- Fast response time

## For Series



\* When purchasing an actuator to be connected with the LAKC1, please inform the Hiwin sales representative.

## Ordering Information

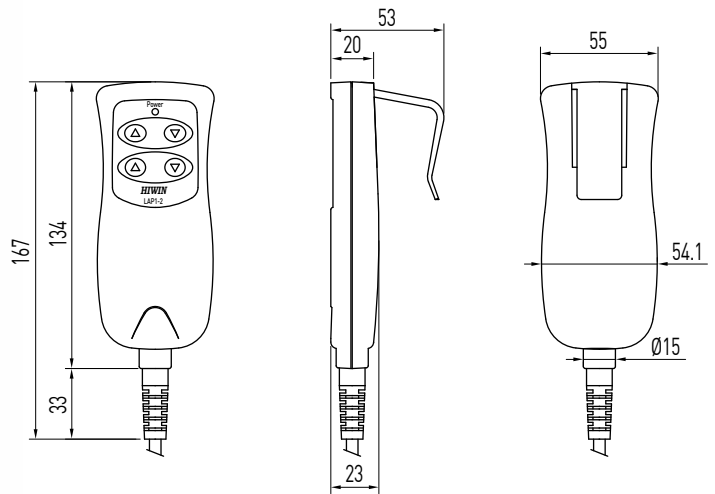
LAKC1 - 1 - 12 - 6 G E					
Model number	Input (Output) Voltage	Over Current Setting		Color	Special models according to Client's requirement
	12: 12VDC	12V:	24V:	B : Black	None
	24: 24VDC	2: 2A	2: 2A	G: Gray	E=Ignore this part of the serial number if not available
		3: 3A	2.5: 2.5A		
		4: 4A	3: 3A		
		5: 5A	4: 4A		
		6: 6A	5: 5A		
		8: 8A	6: 6A		
		10: 10A	7: 7A		
		12: 12A	8: 8A		
		18: 18A	9: 9A		
			10: 10A		

# Linear Actuator

## Keypad Series

### 32. HIWIN Keypad Series

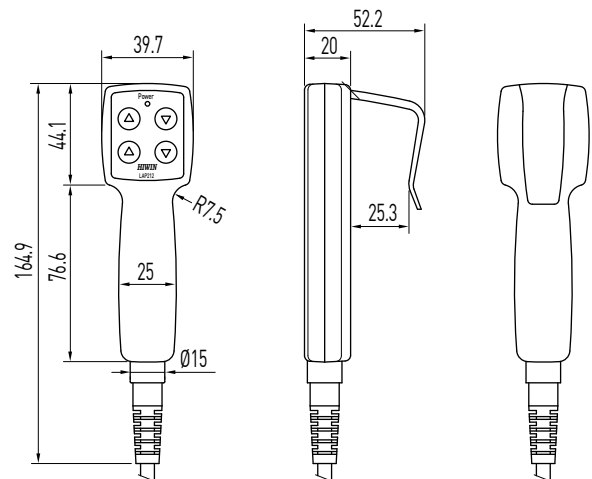
#### LAP1



#### Features of the LAP1

- Controls a maximum of 2 Actuators
- Compatible with the LAK2, LAK4, LAK4D, LAK2LR, LAK2D, & the LAK6B
- Ergonomic design
- Standard cable length: coil 600mm; total 1100mm
- Protection: IP66

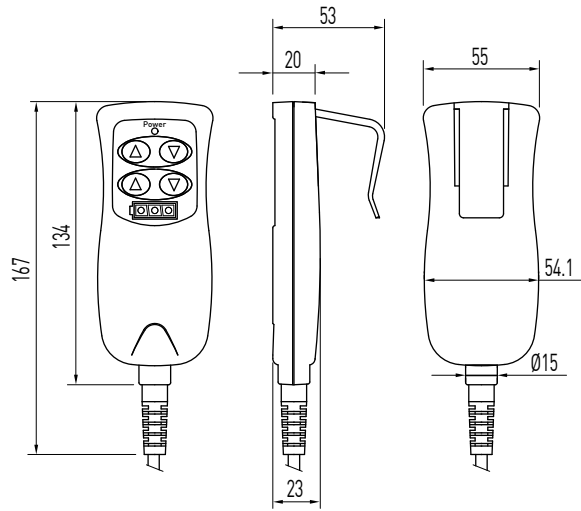
#### LAP2



#### Features of the LAP2

- Control maximum of 2 Actuators
- Compatible with LAK2, LAK4, LAK2D
- Ergonomic design and small size
- Standard cable length: coil 600mm; total 1100mm
- Protection: IP66

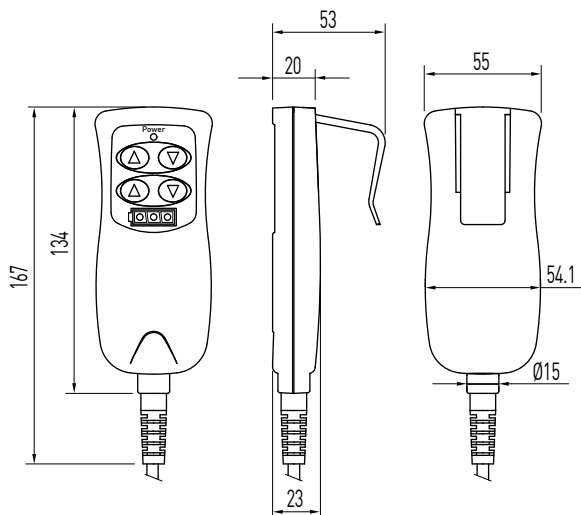
## LAP3



### Features of the LAP3

- Control maximum of 2 Actuators
- Compatible with LAK2B, LAK2J
- Ergonomic design
- Standard cable length: coil 600mm; total 1100mm
- LED for battery capacity
- Protection: IP66

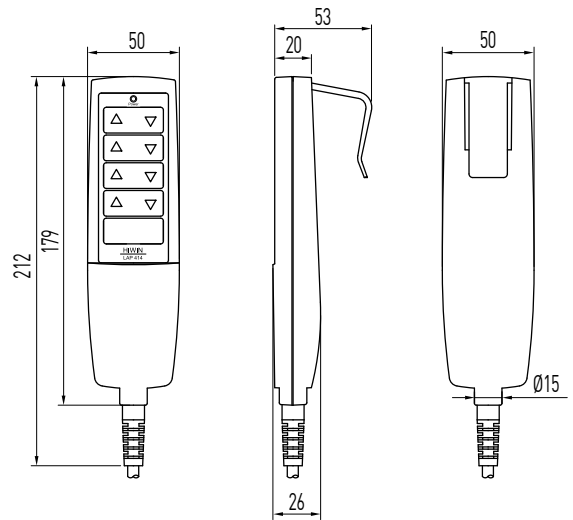
## LAP3N



### Features of the LAP3N

- Control maximum of 2 Actuators
- Compatible with LAK2BN
- Ergonomic design
- Standard cable length: coil 600mm; total 1100mm
- LED for battery capacity
- Protection: IP66
- \*Option: Cable length: coil 600mm; total 2250mm

## LAP4



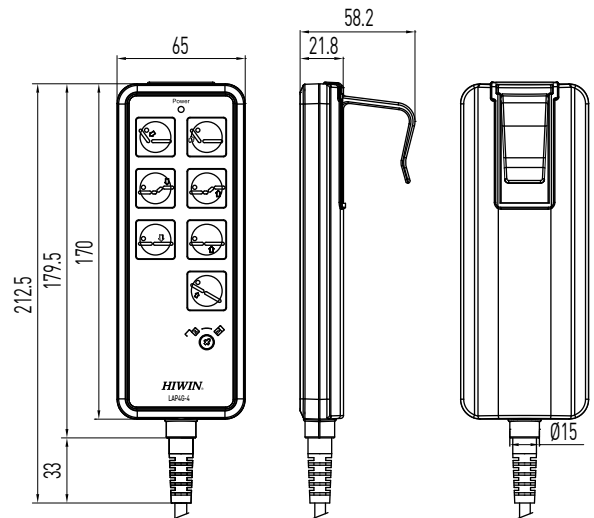
### Features of the LAP4

- Control maximum of 4 Actuators
- Compatible with LAK4
- Ergonomic design
- Standard cable length: coil 600mm; total 1100mm
- Protection: IP66

### Option:

- (1) Cable length: coil 600mm; total 2250mm
- (2) UL version only for LAP4-3-B

## LAP4G



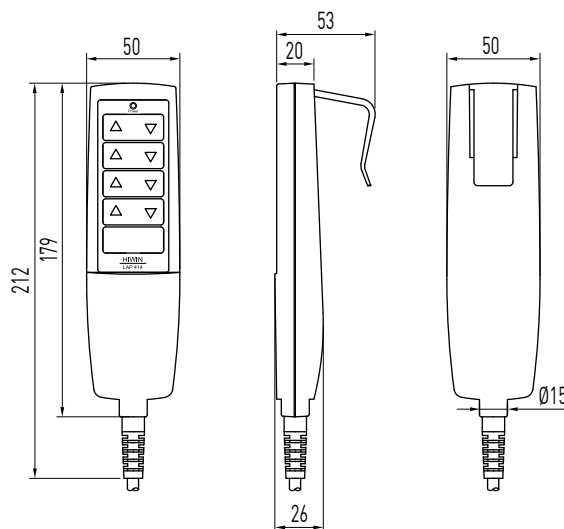
### Features of the LAP4G

- Control maximum of 6 Actuators
- Compatible with LAK4D, LAK6B
- Ergonomic design
- Standard cable length: coil 600mm; total 1100mm
- Protection: IP66
- With lock function

### Option:

- (1) UL version
- (2) Cable length: coil 600mm; total 2250mm
- (3) Special mask...see page 69-70.

## LAP4N

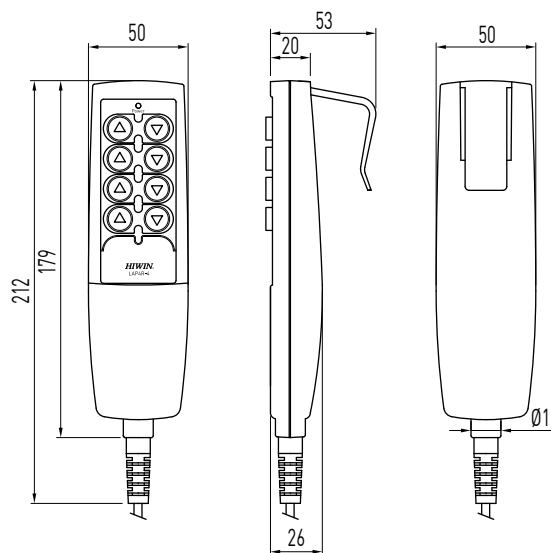


### Features of the LAP4N

- Control maximum of 4 Actuators
- Compatible with LAK4D, LAK6B
- Ergonomic design

- Standard cable length: coil 600mm; total 1100mm
- Protection: IP66
- \* Option: Cable length: Coil 600mm; total 2250mm

## LAP4R

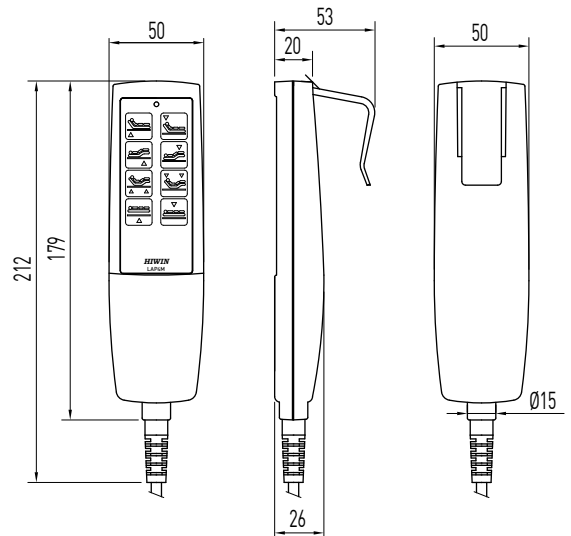


### Features of the LAP4R

- Control maximum of 4 Actuators
- Compatible with LAK4, LAK4D, LAK2J, LAK6B
- Ergonomic design

- Standard cable length: coil 600mm; total 1100mm
- Protection: IP66
- \* Option: Cable length: coil 600mm; total 2250mm

## LAP4M



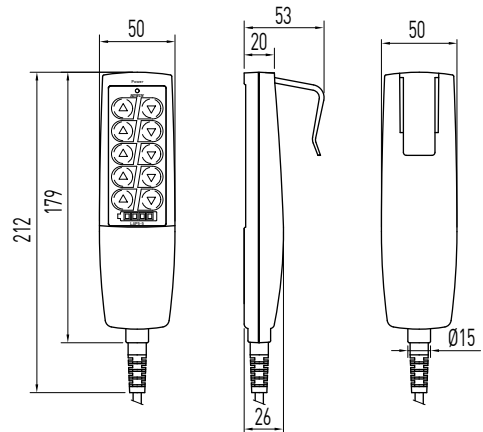
### Features of the LAP4M

- Control maximum of 4 Actuators
- Compatible with LAK4, LAK4D

- Ergonomic design
- Standard cable length: coil 600mm; total 1100mm

- Protection: IP66
- \* Option: Cable length: coil 600mm; total 2250mm

## LAP5



### Features of the LAP5

- Control maximum of 5 Actuators
- Compatible with LAK6B, LAK2J

- Ergonomic design
- Standard cable length: coil 600mm; total 1100mm

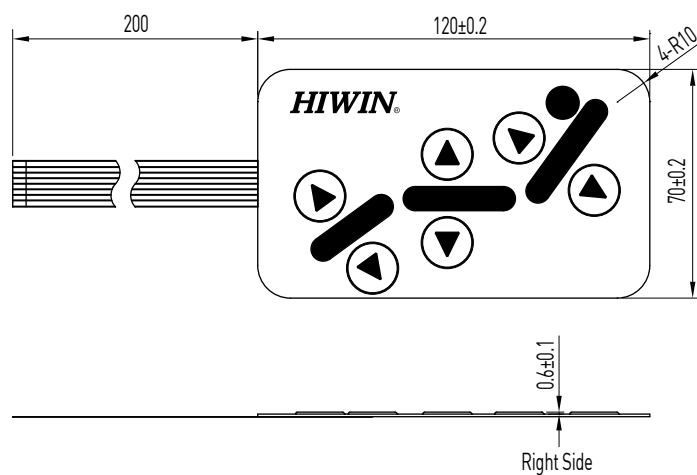
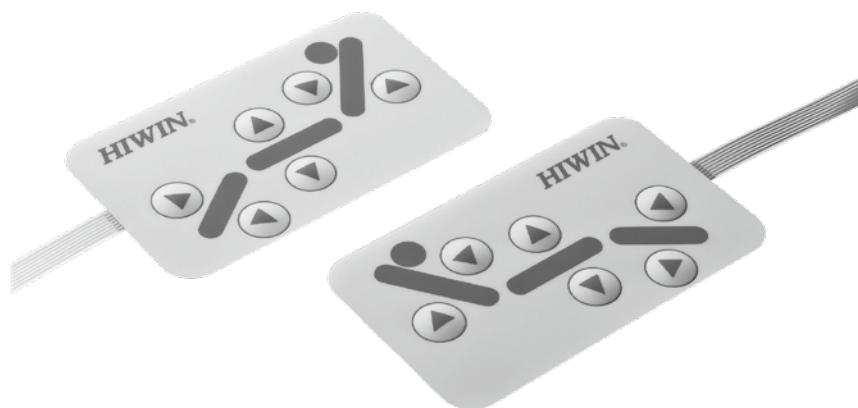
- Protection: IP66

### Ordering Information

Model number							LAP1 - 2 - B E		Special models according to Client's requirement	
LAP1	LAP2	LAP3	LAP3N	LAP4	LAP4N	LAP4G	Number of axis controlled	Color	None	
LAP4M	LAP4R	LAP5						B: Black	E=Ignore this part of the serial number if not available	
								G: Gray		



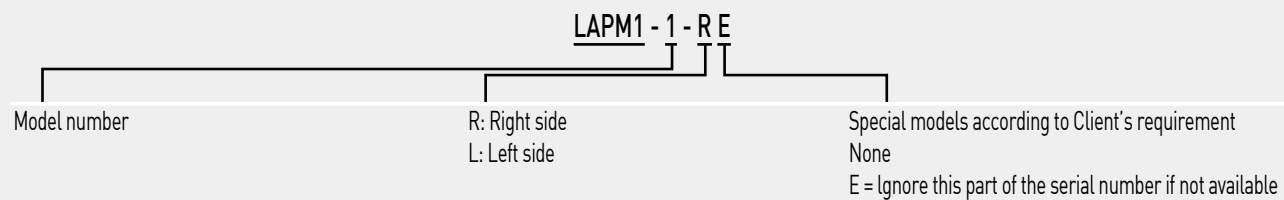
## LAPM1



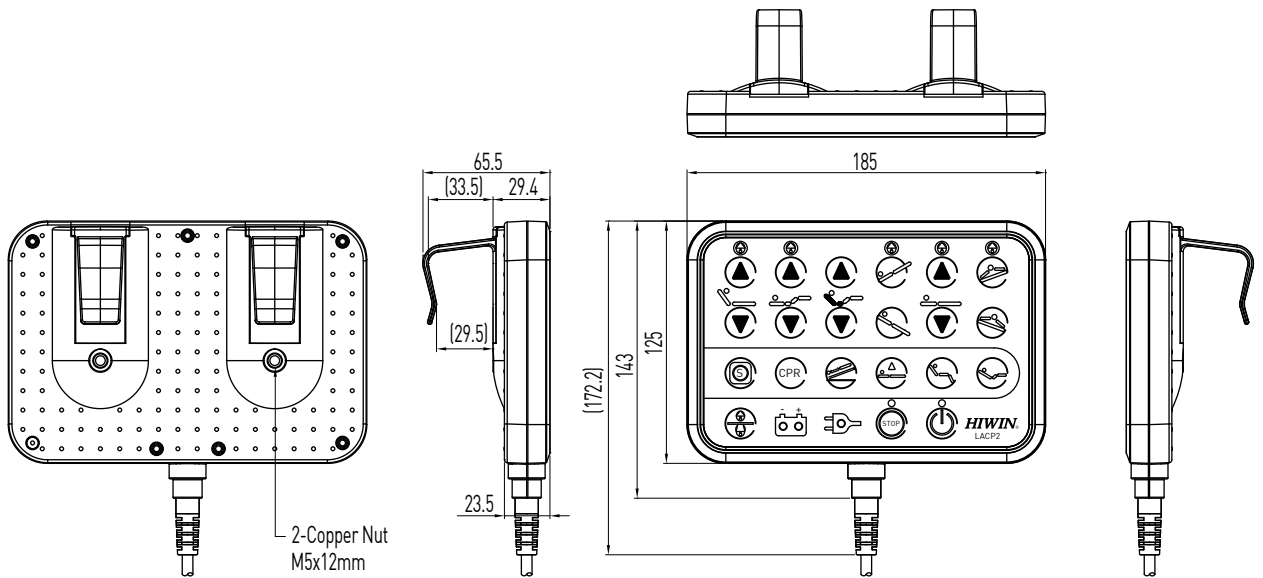
### Features of the LAPM1

- Control maximum of 4 Actuators
- Compatible with LAK4D, LAK6B
- Cable length: 200mm

### Ordering Information



## LACP2



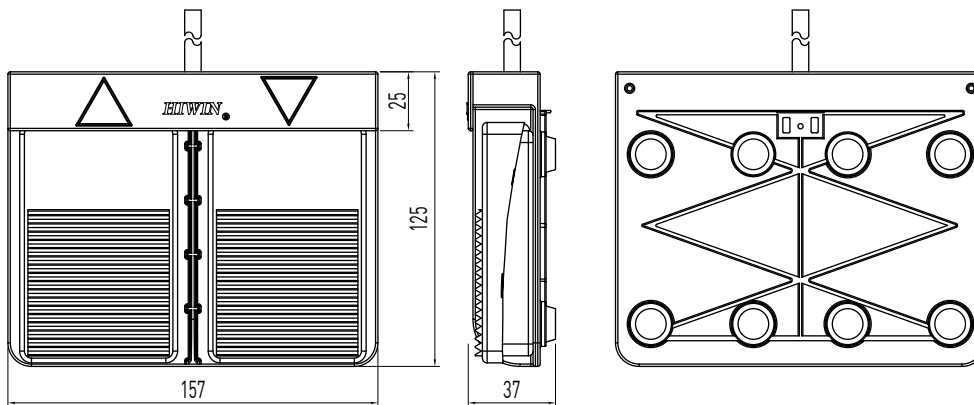
### Features of the LACP2

- Control maximum of 5 Actuators
- Compatible with LAK6B
- Ergonomic design
- Custom mask and function
- Standard cable length: coil 600mm; total 1100mm
- Protection: IP54
- Option: IP66

### Ordering Information

<b>LACP2 - 2 - B E</b>			
Model number	Number of axis controlled	Color B : Black G : Gray	Special models according to Client's requirement None E = Ignore this part of the serial number if not available

## LAFS1

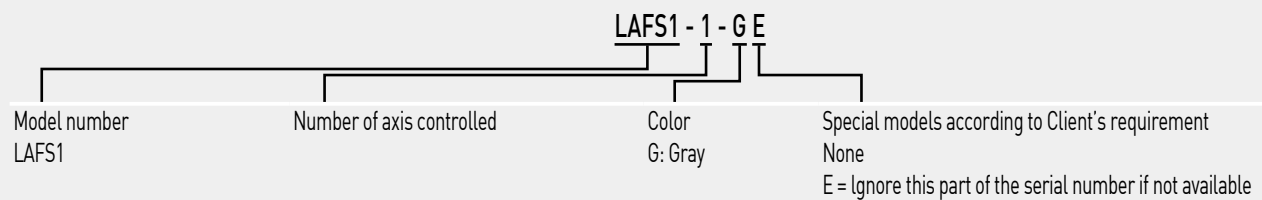


### Features of the LAFS1

- Controls 1 Actuator
- Compatible with all controllers
- \* Notice the type of controller

- Easily portable with attached magnet
- Standard cable length: coil 600mm; total 1100mm

### Ordering Information



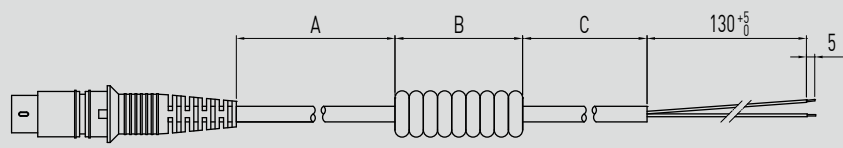
# Linear Actuator

## Options for each type

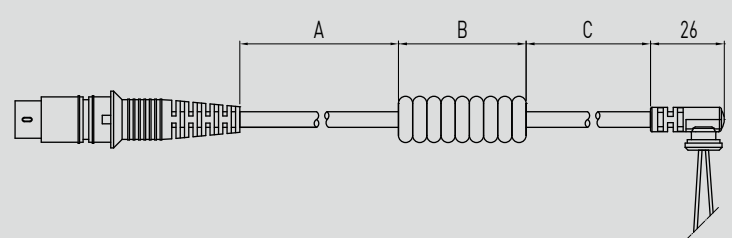
### 33. Standard Cable length of the actuator

Item	Type	Standard cable length(Straight line)					Cable diagram	
		Mount with controller Cable length(L)	Normal length (L)					
1	LAM1							
2	LAM2							
3	LAM3	200mm(DIN 4PIN)						
4	LAI1							
5	LAI2							
6	LAS1							
7	LAS2							
8	LAS3							
9	LAS4		1M	1.5M	2M	2.5M		3M
10	LAS5							
11	LAN1	300mm(DIN 4PIN)						
12	LAH1	300mm(DIN 4PIN)						
13	LAN3							
14	LAN3A							
15	LAN4							
16	LAN5	410mm(DIN 4PIN)						
17	LAC1							
18	LAC3							
19	LAN5 Coil							

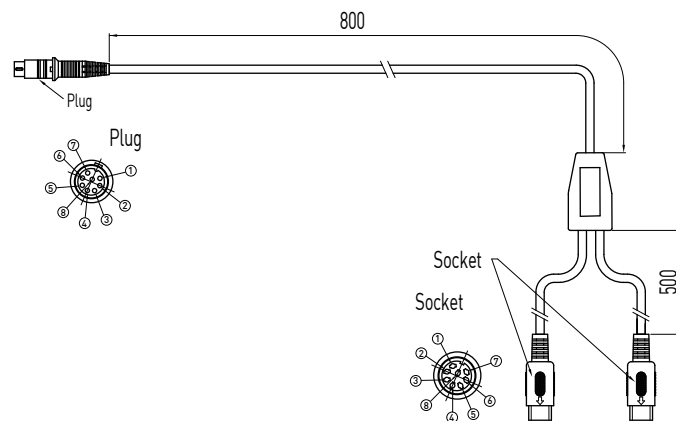
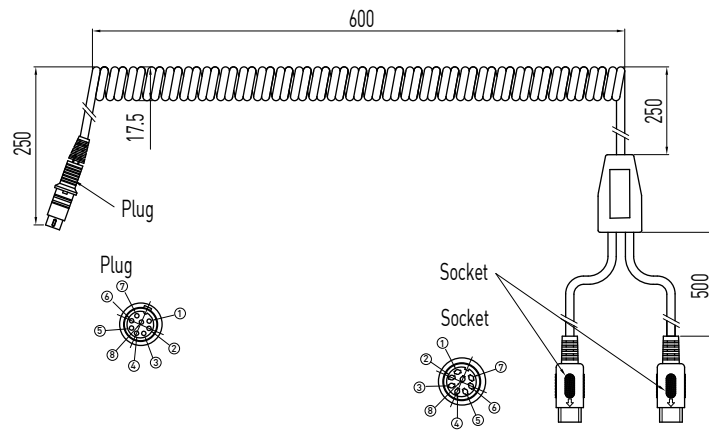
DIN 4PIN - Coil	Species	1	2	3	4	5
	Length A	100	300	300	100	1350
	Length B	100	300	400	600	400
	Length C	130	130	330	130	110



DIN 4PIN - Coil (90° Connector)	Species	1	2			
	Length A	100	300			
	Length B	100	300			
	Length C	100	100			



## Y-CABLE



### Features of the Y-Cable

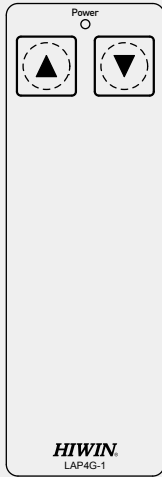
- Compatible with 2 keypads independent input.

### Ordering Information

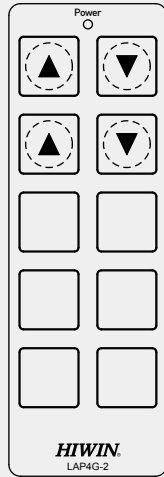
LAPY - 1 - G E			
Model of Y extension cable	Cable 1: Coil cable 2: Straight cable	Color B: Black G: Gray	Special models according to Client's requirement None E = Ignore this part of the serial number if not available

### 34. HIWIN LAP4G Mask Options

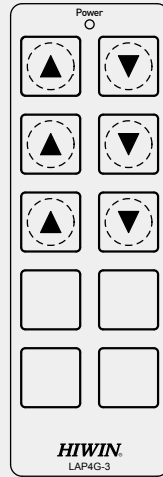
#### LAP4G Mask (1)



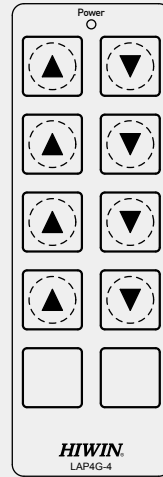
H12B031/H12B056



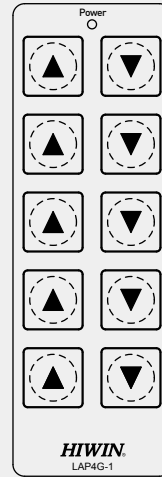
H12B008



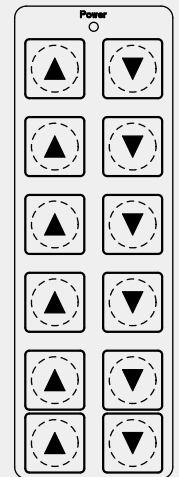
H12B018



H12B009

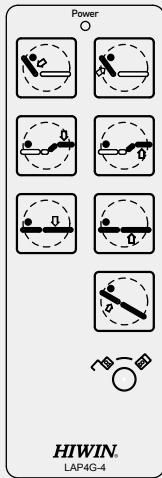


H12B037



H12B041

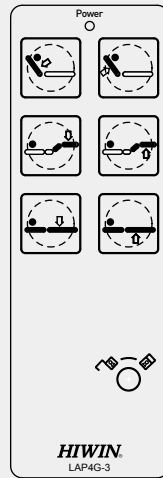
#### LAP4G Mask (2) (With lock function)



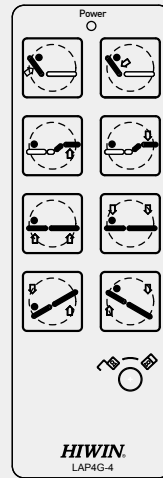
H12B001/H12B044



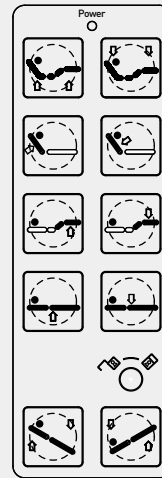
H12B010



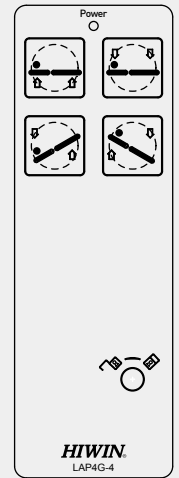
H12B024



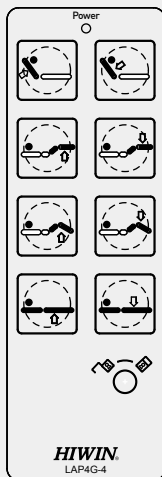
H12B025



H12B034



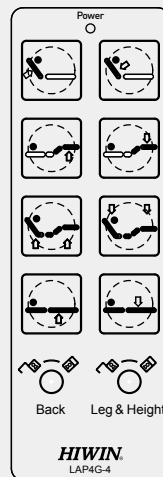
H12B058/H12B074



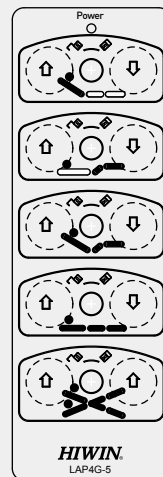
H12B062



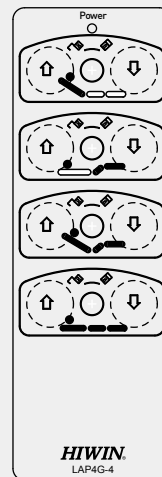
H12B073



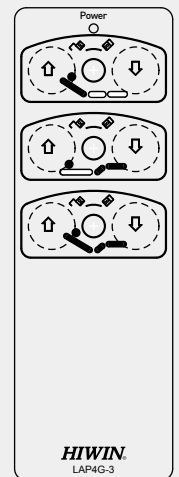
H12B017



H12B015

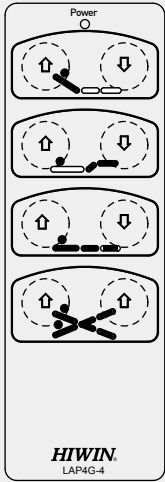


H12B048

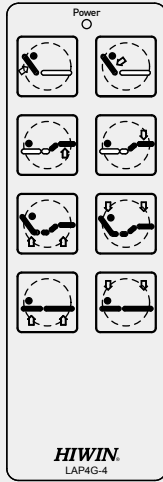


H12B055

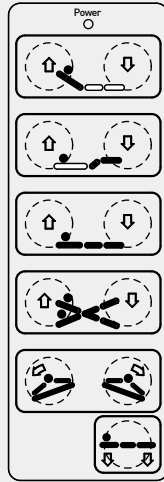
### LAP4G Mask (3)



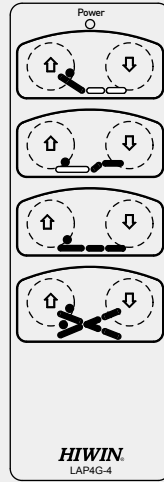
H12B020



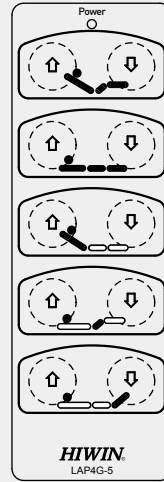
H12B021



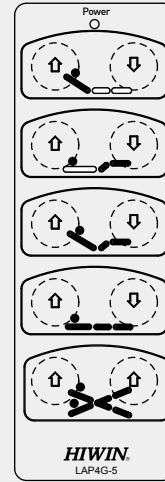
H12B023



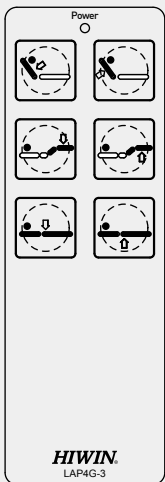
H12B026



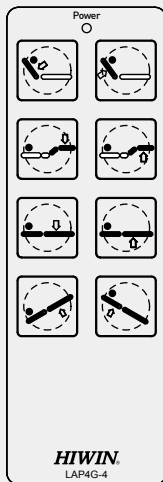
H12B027



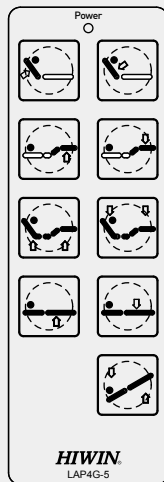
H12B028



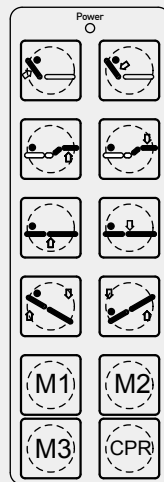
H12B032/H12B039



H12B047



H12B049



H12B052

### 35. HIWIN Options for each Actuator Type

Series	Function	IP54	IP65	IP66	Back fixture turn 90°	Gear box material S45C	Rod end with flat connector	Safety nut	Spline (push only)	Quick release	Internal limit switches	External limit switches	Hall Sensor		Potentiometer	Optical Sensor			MR Sensor NPN
													NPN	TTL		NPN	PNP	TTL	
LAM1	LAM1-1	●	▲		▲	▲						▲							
	LAM1-2	●	▲		▲	▲						▲							
	LAM1-1A	●	▲		▲	▲						▲							
	LAM1-2A	●	▲		▲	▲						▲							
LAM2	LAM2-1	●		▲	▲		●		▲		●	▲							▲
	LAM2-2	●		▲	▲		●		▲		●	▲							▲
	LAM2-3	●		▲	▲		●		▲		●	▲							▲
	LAM2-4	●		▲	▲		●		▲		●	▲							▲
LAM3	LAM3-1	●		▲	▲			▲	▲		●								
	LAM3-2	●		▲	▲			▲	▲		●								
	LAM3-3	●		▲	▲			▲	▲		●								
	LAM3-4	●		▲	▲			▲	▲		●								
LAS1	LAS1-1	●	▲		▲		▲				●								
	LAS1-2	●	▲		▲		▲				●								
LAS2	LAS2-1	●	▲		▲						●				■	■	■	■	
	LAS2-2	●	▲		▲						●				■	■	■	■	
LAS3	LAS3-1	●	▲		▲						●				■	■	■	■	
	LAS3-2	●	▲		▲						●				■	■	■	■	
LAS4	LAS4-1	●	▲								●								
	LAS4-2	●	▲								●								
LAS5	LAS5-1	●		▲								▲	▲	▲					
	LAS5-2	●		▲								▲	▲	▲					
LAN1	LAN1-1	●		▲	▲			▲	▲		●		▲	▲					
	LAN1-2	●		▲	▲			▲	▲		●		▲	▲					
	LAN1-3	●		▲	▲			▲	▲		●		▲	▲					
	LAN1-4	●		▲	▲			▲	▲	▲	●		▲	▲					
LAN3	LAN3-1	●		▲	▲			▲	▲	▲	●				▲				▲
	LAN3-2	●		▲	▲			▲	▲	▲	●				▲				▲
	LAN3-3	●		▲	▲			▲	▲	▲	●				▲				▲
LAN3A	LAN3A-1	●		▲	▲			▲	▲	▲	●				▲				▲
	LAN3A-2	●		▲	▲			▲	▲	▲	●				▲				▲
	LAN3A-3	●		▲	▲			▲	▲	▲	●				▲				▲
	LAN3A-4	●		▲	▲			▲	▲	▲	●				▲				▲
LAN4	LAN4-1	●		▲															
	LAN4-2	●		▲															
	LAN4-3	●		▲															
	LAN4-4	●		▲															
LAN5	LAN5-1	●	◆	■	▲			▲	▲		●		▲	▲					
	LAN5-2	●	◆	■	▲			▲	▲		●		▲	▲					
	LAN5-3	●	◆	■	▲			▲	▲		●		▲	▲					
	LAN5-4	●	◆	■	▲			▲	▲		●		▲	▲					
LAC1	LAC1-1	●								●		■	■	■					
LAC3	LAC3-1	●								●		■	■	■					

● Standard  
 ▲ Option is available.  
 ◆ ■ Only 1 option is available.



# Linear Actuator

## 36. HIWIN Option for each Controller Type

Function		Type	LAK2RL	LAK2	LAK2BN	LAK2D	LAK2J	LAK4	LAK4D	LAK6B
IP54			●	●	●	●	●	●	●	●
IP65							▲			
IP66			▲	▲	▲	▲		▲	▲	▲
Input Voltage	DC 12V			■						
	DC 24V			■			●			
	AC 100V		■	■	■	■		■	■	■
	AC 110V		■	■	■	■		■	■	■
	AC 120V		■	■	■	■		■	■	■
	AC 220V		■	■	■	■		■	■	■
	AC 230V		■	■	■	■		■	■	■
Output Power (24V)	72.5VA							●	●	■
	108VA		●	●		●				
	144VA				●				■	■
	216VA								■	●
Max. control axis no.			1	2	2	2	2	3	4	6
Over load protection			●	●	●	●	●			●
Relay protection			●	●	●	●	●	●		●
Battery	9V alkaline					▲				
	1.3Ah (Lead Acid)				■					●
	2.9Ah (Lead Acid)				■					
	4.5Ah (Lead Acid)						●			
Charge function					●		▲			●
Energy saving					●		●			●
Custom program					▲		▲			▲
Control external limit switch			●		▲					▲
Mounted with actuator						●		●	●	
Detachable cable retainer									●	
Removable AC power cable									●	●

● " Standard

▲ " Option is available.

■ " Only 1 option is available.

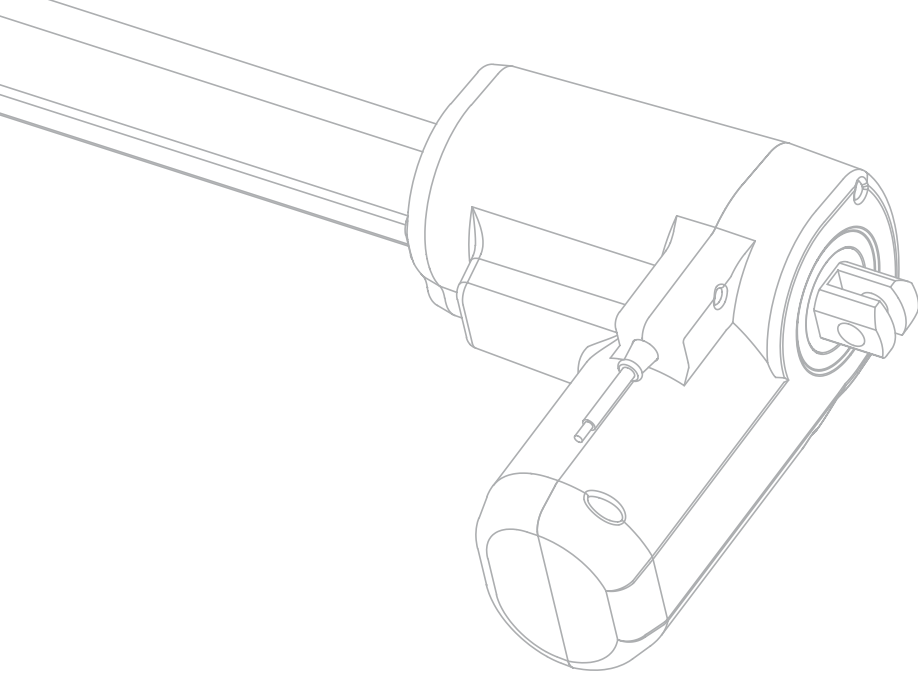
# Customer Requirements (LA)

## 37. HIWIN Customer Requirements (LA)

\*Required

NO: \_\_\_\_\_

Customer		Application	
Tel:		Fax:	
Contact person		Executive	
<input type="checkbox"/> Actuator		<input type="checkbox"/> Controller	
*Voltage VDC (V)		*Input voltage (V)	AC ___ V or DC ___ V
*Max. current (A)		*Control axis no.	
*Max. thrust force (N)		*Battery	<input type="checkbox"/> YES <input type="checkbox"/> NO
*Max. pulling force (N)		*Power cord type	<input type="checkbox"/> US <input type="checkbox"/> UK <input type="checkbox"/> EU <input type="checkbox"/> other _____
*Max.holding force (N)		*Over load protection	<input type="checkbox"/> YES <input type="checkbox"/> NO
*Stroke (mm)		*IP Class	
*Install length (mm)		Output power (VA)	
*Speed (mm/s)	No load	Power cord length	
	Full load	Removable Power cord	<input type="checkbox"/> YES <input type="checkbox"/> NO
*Load (N)		Duty cycle	
*IP Class		Operation temp. (°C)	
No-Load current (A)		Outdoor use	<input type="checkbox"/> YES <input type="checkbox"/> NO
Duty cycle		With HIWIN's Actuator	<input type="checkbox"/> YES (Model) _____ <input type="checkbox"/> NO
Operation temp. (°C)		Custom program	<input type="checkbox"/> YES <input type="checkbox"/> NO
Outdoor use	<input type="checkbox"/> YES <input type="checkbox"/> NO	Housing color	<input type="checkbox"/> BLACK <input type="checkbox"/> GRAY
Direction	<input type="checkbox"/> H. <input type="checkbox"/> V.	Expected price	
Bending moment	<input type="checkbox"/> YES <input type="checkbox"/> NO	Quantity (year/month)	
With HIWIN's L/S	<input type="checkbox"/> YES <input type="checkbox"/> NO	<input type="checkbox"/> Keypad	
With HIWIN's Controller	<input type="checkbox"/> YES (Model) _____ <input type="checkbox"/> NO	*Control axis no.	
With customer's L/S	<input type="checkbox"/> YES <input type="checkbox"/> NO	*Custom mask	<input type="checkbox"/> YES <input type="checkbox"/> NO
Over current	<input type="checkbox"/> YES <input type="checkbox"/> NO	*Lock function	<input type="checkbox"/> YES <input type="checkbox"/> NO
Position feedback	<input type="checkbox"/> YES <input type="checkbox"/> NO	*With HIWIN's Controller	<input type="checkbox"/> YES (Model) _____ <input type="checkbox"/> NO
Special install requirement (Fixture, Space...etc.)		Housing color	<input type="checkbox"/> BLACK <input type="checkbox"/> GRAY
Expected price		Key mode	<input type="checkbox"/> Membrane <input type="checkbox"/> Rubber
Quantity (year/month)		Expected price	
		Quantity (year/month)	
*Other function / requirement:			
(The following fills in by HIWIN Engineer) Recommend Specification:			
Engineer:		Manager:	



## **HIWIN MIKROSYSTEM CORP.**

No.6, Jingke Central Rd.,  
Taichung Precision Machinery Park,  
Taichung 40852, Taiwan  
Tel: +886-4-23550110  
Fax: +886-4-23550123  
[www.hiwinmikro.tw](http://www.hiwinmikro.tw)  
[business@hiwinmikro.tw](mailto:business@hiwinmikro.tw)

### **Subsidiaries & RD Centers**

**HIWIN GmbH**  
OFFENBURG, GERMANY  
[www.hiwin.de](http://www.hiwin.de)  
[www.hiwin.eu](http://www.hiwin.eu)  
[info@hiwin.de](mailto:info@hiwin.de)

**HIWIN JAPAN**  
KOBE · TOKYO · NAGOYA · KYUSHU · NAGANO ·  
HIROSHIMA · HOKURIKU, JAPAN  
[www.hiwin.co.jp](http://www.hiwin.co.jp)  
[info@hiwin.co.jp](mailto:info@hiwin.co.jp)

**HIWIN USA**  
CHICAGO · SILICON VALLEY, U.S.A.  
[www.hiwin.com](http://www.hiwin.com)  
[info@hiwin.com](mailto:info@hiwin.com)

**HIWIN s.r.o.**  
BRNO, CZECH REPUBLIC  
[www.hiwin.cz](http://www.hiwin.cz)  
[info@hiwin.cz](mailto:info@hiwin.cz)

**HIWIN Schweiz GmbH**  
JONA, SWITZERLAND  
[www.hiwin.ch](http://www.hiwin.ch)  
[info@hiwin.ch](mailto:info@hiwin.ch)

**HIWIN FRANCE**  
ECHAUFFOUR, FRANCE  
[www.hiwin.fr](http://www.hiwin.fr)  
[info@hiwin.fr](mailto:info@hiwin.fr)

**HIWIN Srl**  
MILAN, ITALY  
[www.hiwin.it](http://www.hiwin.it)  
[info@hiwin.it](mailto:info@hiwin.it)

**HIWIN SINGAPORE**  
SINGAPORE  
[www.hiwin.sg](http://www.hiwin.sg)  
[info@hiwin.sg](mailto:info@hiwin.sg)

**HIWIN KOREA**  
SOWON, KOREA  
[www.hiwin.kr](http://www.hiwin.kr)  
[info@hiwin.kr](mailto:info@hiwin.kr)

**HIWIN CHINA**  
SUZHOU, CHINA  
[www.hiwin.cn](http://www.hiwin.cn)  
[info@hiwin.cn](mailto:info@hiwin.cn)

**Mega-Fabs Motion System, Ltd.**  
HAIFA, ISRAEL  
[www.mega-fabs.com](http://www.mega-fabs.com)  
[info@mega-fabs.com](mailto:info@mega-fabs.com)